

AXIS 211W Network Camera

Flexible wireless video surveillance with superior image quality.



- > Superior image quality
- > Simultaneous MPEG-4 and Motion JPEG
- > Flexible installation with wireless capability
- > Secure communication
- > Outdoor option

AXIS 211W is a high performance network camera for professional video surveillance in locations such as retail stores, offices, hotels and university campuses. Designed for flexibility and ease of installation, it offers both wireless and wired connection to the network.

AXIS 211W, with progressive scan and 30 frames per second in VGA resolution, offers the high image quality customers have come to expect from Axis products.

Simultaneous MPEG-4 and Motion JPEG video streams allow for optimization of both image quality and bandwidth efficiency.

For optimal installation flexibility, AXIS 211W offers either a wireless IEEE 802.11g/b connection to the network or a wired Ethernet connection supporting Power over Ethernet. The camera only needs one outlet; either power or network.

AXIS 211W includes Enterprise and Personal Wi-Fi Protected Access (WPA/WPA2) for secure wireless communication, and HTTPS encryption as well as IEEE 802.1X access control for both wireless and wired connection to the network.

The AXIS 211W bundle, including outdoor antenna and housing, is the perfect choice for outdoor installations where power but no network connection is available.



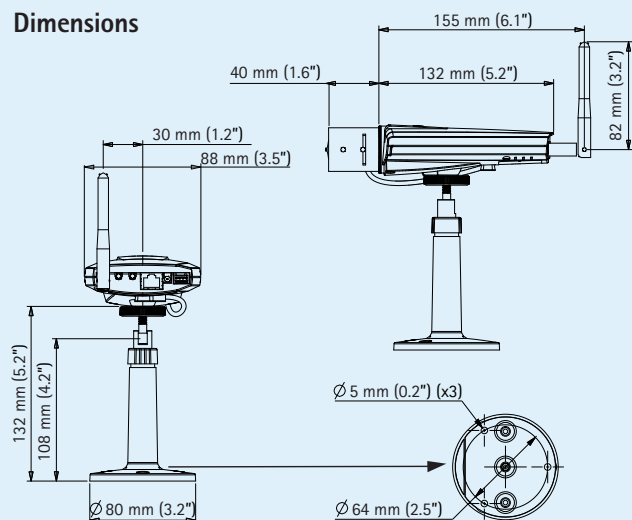
Technical specifications – AXIS 211W Network Camera

Camera	
Image sensor	1/4" Progressive scan RGB CMOS VGA
Lens	Varifocal 3.0 – 8.0 mm, F1.0, DC-iris, CS mount Horizontal angle of view: 27° – 67°
Minimum illumination	0.75 lux, F1.0
Shutter time	1/15000 s to 1/4 s
Video	
Video compression	MPEG-4 Part 2 (ISO/IEC 14496-2) Motion JPEG
Resolutions	640x480 to 160x120
Frame rate MPEG-4	Up to 30 fps in all resolutions
Frame rate Motion JPEG	Up to 30 fps in all resolutions
Video streaming	Simultaneous MPEG-4 and Motion JPEG Controllable frame rate and bandwidth VBR/CBR MPEG-4
Image settings	Compression, color, brightness, sharpness, contrast, white balance, exposure control, fine tuning of behavior at low light, rotation Text and image overlay Privacy mask
Audio	
Audio streaming	Two-way
Audio compression	G.711 PCM 8 kHz G.726 ADPCM Configurable bit rate
Audio input/output	Built-in microphone, external microphone input or line input, line output
Network	
Wireless interface	IEEE 802.11g/b
Security	WEP 64/128 bit, WPA/WPA2-PSK, WPA/WPA2-Enterprise (EAP-TLS, EAP-PEAP/MSCHAPv2) Password protection, IP address filtering, HTTPS encryption, IEEE 802.1X network access control
Supported protocols	IPv4/v6, HTTP, HTTPS, QoS Layer 3 DiffServ, FTP, SMTP, Bonjour, UPnP, SNMPv1/v2c/v3 (MIB-II), DNS, DynDNS, RTSP, RTP, TCP, UDP, IGMP, RTCP, ICMP, DHCP, ARP, SOCKS, WPA-/WPA2-PSK, WPA-/WPA2-Enterprise, EAP-TLS, EAP-PEAP/MSCHAPv2, WEP

System integration	
Application Programming Interface	Open API for software integration, including VAPIX® from Axis Communications available at www.axis.com
Intelligent video	Video motion detection, audio detection
Alarm triggers	Intelligent video and external input
Alarm events	File upload via FTP, HTTP and email Notification via email, HTTP and TCP External output activation Pre- and post-alarm video buffering
General	
Processors and memory	ARTPEC-A, 64 MB RAM, 8 MB Flash
Power	7 – 20 V DC max. 5 W Power over Ethernet IEEE 802.3af Class 2
Connectors	RJ-45 10BASE-T/100BASE-TX PoE, Auto-MDIX Terminal block for 1 alarm input, 1 output and alternative power connection Reverse SMA for radio 3.5 mm mic/line in, 3.5 mm line out
Operating conditions	0 °C to 45 °C (32 °F to 113 °F) Humidity 20 – 80% RH (non-condensing)
Approvals	EN 301 489-1, EN 301 489-17, EN 300 328, FCC Part 15 Subpart B and C Class B, RSS-210, TELEC, AS/NZS 4711, MIC Power supply: EN 60950-1, UL, cUL
Weight	240 g (0.5 lb.)
Included accessories	Power supply, stand, terminal connector kit, antenna, antenna connector lid, Installation Guide, CD with installation tools, recording software and User's Manual, Windows decoder 1-user license

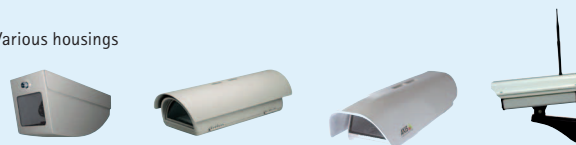
More information is available at www.axis.com

Dimensions



Optional accessories

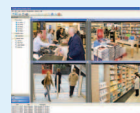
Various housings



Outdoor antenna



Lightning protector



For information on AXIS Camera Station and video management software from Axis' Application Development Partners, see www.axis.com/products/video/software/