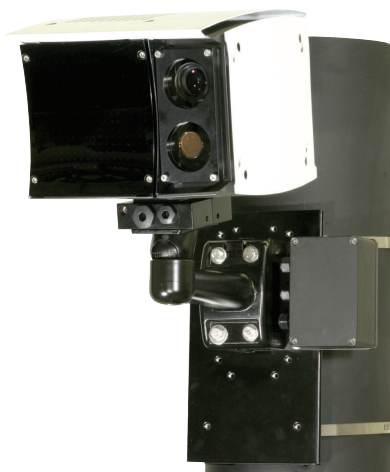



BOSCH

Invented for life

REG-Z1 License Plate Cameras



- ▶ **Consistent, reliable 24/7 capture regardless of weather or lighting conditions**
- ▶ **Integrated color overview camera for surrounding area surveillance**
- ▶ **Capture at up to 190 kph (120 mph) for highways, motorways and other high-speed applications**
- ▶ **Average LED operational life of more than 5 years**

The REG-Z1 series delivers advanced performance in vehicle license plate capture. Integrating advances in optics, infrared illumination and ambient rejection technology, the REG-Z1 delivers high contrast license plate images consistently and reliably.

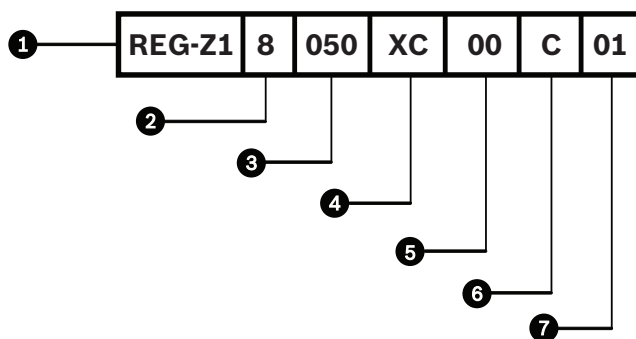
The REG-Z1 has an operational range of up to 50 m (164 ft) or 37 m (120 ft) depending on number plate size. Ambient rejection technology ensures that the REG-Z1 provides high contrast license plate images across the complete spectrum of ambient lighting conditions, from total darkness to direct glare from sunlight or vehicle headlights.

The REG-Z1 series offers a choice of single license plate capture camera or license plate capture with integrated 480 TVL color camera to provide overview images of the surrounding area including vehicle color, shape and model. A high-speed optical engine captures plates from vehicles traveling at speeds of up to 190 kph (120 mph), making REG-Z1 suitable for motorways, highways and other high speed applications.

IP66 / NEMA4 rated, the REG-Z1 is field proven for unrivalled performance in extreme environments. REG-Z1's LED array eliminates the need for routine bulb changes and delivers an average operational life of more than 5 years.

The REG-Z1 integrates easily with industry standard DVRs, NVRs, IP video servers and wireless broadband equipment. The REG-Z1's imaging technology delivers the high contrast images needed for Automatic License Plate Recognition (ALPR)

Installation/Configuration Notes



| | | |
|----------------------|---------------|---|
| 1 Model | REG-Z1 | |
| 2 Wavelength | 8 | 850 nm |
| 3 Lens/Range | 050 | 50 mm |
| | 075 | 75 mm |
| | 100 | 100 mm |
| 4 Camera Type | X0 | Number Plate Capture Only |
| | XC | Number Plate Capture and Color Overview |

| | | |
|-------------------|---------------|-------|
| 1 Model | REG-Z1 | |
| 5 Reserved | | |
| 6 Region | C | CCIR |
| | E | EIA |
| 7 Color | 01 | Black |

Technical Specifications

General Specification

| | | |
|---------------------------------|---|-------------------------------------|
| CCDs | License Plate Capture CCD | Color Overview CCD |
| Sensor | 1/2 -inch LXR CCD | 1/3-inch LXR CCD |
| Resolution | 600 TVL | 480 TVL |
| Effective Pixels (H x V) Europe | CCIR: 795 x 596 | PAL: 795 x 586 |
| S/N Ratio | Greater than 48 dB | Greater than 48 dB |
| Video Output | High Contrast 1 Vpp at 75 ohm | 1 Vpp at 75 ohm |
| Sensitivity | Zero lux (works in total darkness) | 0.1 lux at F1.2 |
| Lens | Choose from lens selector table below | Varifocal 5 to 50 mm with auto-iris |
| Infrared Illumination | 850 nm | |
| LEDs | IR LED array | |
| Power Requirement | 24 VAC or VDC | |
| Power Consumption | 30 W (1.3 A at 24 VAC) | |
| Temperature | -50 °C to +50 °C (-58 °F to +122 °F) | |
| Environmental | IP66 | |
| Construction | Robust, aluminum extrusion, polycarbonate, ABS alloy, borosilicate 2.5mm window | |
| Weight | 6.5 kg (14.2 lbs) | |
| Dimensions | 236 x 224 x 261 mm (9.3 x 8.8 x 10.3 in) | |
| Color | Black with white sunshields | |

Camera Selection Tables

Range for 12 x 6 in (305 x 152 mm) number plates (common in North America)

| Model | Range | Optimal Distance |
|-------------|---------------------------|------------------|
| REG-Z1-8050 | 14 to 20 m (45 to 65 ft) | 15 m (50 ft) |
| REG-Z1-8075 | 20 to 26 m (65 to 85 ft) | 23 m (75 ft) |
| REG-Z1-8100 | 26 to 37 m (85 to 120 ft) | 30 m (100 ft) |

Range for 520 x 111 mm (20.5 x 4.4 in) number plates (common in Europe)

| Model | Range | Optimal Distance |
|-------------|----------------------------|------------------|
| REG-Z1-8050 | 15 to 25 m (49 to 82 ft) | 22 m (72 ft) |
| REG-Z1-8075 | 20 to 35 m (66 to 115 ft) | 28 m (92 ft) |
| REG-Z1-8100 | 30 to 50 m (100 to 164 ft) | 42 m (138 ft) |

Ordering Information

| | |
|--|------------------------------|
| REG-Z1-8050-XC-00C-01 License Plate Camera Cam/LED REG-Z1 Image/LP Capture 50 mm PAL | REG-Z1-8050-XC-00C-01 |
| REG-Z1-8075-XC-00C-01 License Plate Camera Cam/LED REG-Z1 Image/LP Capture 75 mm PAL | REG-Z1-8075-XC-00C-01 |
| REG-Z1-8100-XC-00C-01 License Plate Camera Cam/LED REG-Z1 Image/LP Capture 100 mm PAL | REG-Z1-8100-XC-00C-01 |
| REG-Z1-8050-XO-00C-01 License Plate Camera Cam/LED REG-Z1 LP Capture 50 mm PAL | REG-Z1-8050-XO-00C-01 |
| REG-Z1-8075-XO-00C-01 License Plate Camera Cam/LED REG-Z1 LP Capture 75 mm PAL | REG-Z1-8075-XO-00C-01 |
| REG-Z1-8100-XO-00C-01 License Plate Camera Cam/LED REG-Z1 LP Capture 100 mm PAL | REG-Z1-8100-XO-00C-01 |
| REG-Z1-8050-XC-00E-01 License Plate Camera Cam/LED REG-Z1 Image/LP Capture 50 mm NTSC | REG-Z1-8050-XC-00E-01 |
| REG-Z1-8075-XC-00E-01 License Plate Camera Cam/LED REG-Z1 Image/LP Capture 75 mm NTSC | REG-Z1-8075-XC-00E-01 |
| REG-Z1-8100-XC-00E-01 License Plate Camera Cam/LED REG-Z1 Image/LP Capture 100 mm NTSC | REG-Z1-8100-XC-00E-01 |
| REG-Z1-8050-XO-00E-01 License Plate Camera Cam/LED REG-Z1 LP Capture 50 mm NTSC | REG-Z1-8050-XO-00E-01 |
| REG-Z1-8075-XO-00E-01 License Plate Camera Cam/LED REG-Z1 LP Capture 75 mm NTSC | REG-Z1-8075-XO-00E-01 |
| REG-Z1-8100-XO-00E-01 License Plate Camera Cam/LED REG-Z1 LP Capture 100 mm NTSC | REG-Z1-8100-XO-00E-01 |

Ordering Information**Accessories**

| | |
|---|--------------------|
| EXMB.017B Wall Mount Adapter Bracket Wall Mount Adapter, Black | EXMB.017B |
| EXMB.028B Cable Managed Wall Bracket Cable-managed arm bracket, black | EXMB.028B |
| EXMB.015B Pole Mount Adapter Bracket Pole Mount Adapter, black | EXMB.015B |
| EXMB.061 Pole Top Bracket Stainless Pole Top Bracket | EXMB.061 |
| UPA-2450-60 Power Supply 120VAC, 60Hz, 24VAC, 50VA Out | UPA-2450-60 |
| UPA-2450-50 Power Supply 220VAC, 50Hz, 24VAC, 50VA Out | UPA-2450-50 |

Americas:
Bosch Security Systems, Inc.
130 Perinton Parkway
Fairport, New York, 14450, USA
Phone: +1 800 289 0096
Fax: +1 585 223 9180
security.sales@us.bosch.com
www.boschsecurity.us

Europe, Middle East, Africa:
Bosch Security Systems B.V.
P.O. Box 80002
5600 JB Eindhoven, The Netherlands
Phone: + 31 40 2577 284
Fax: +31 40 2577 330
emea.securitysystems@bosch.com
www.boschsecurity.com

Asia-Pacific:
Robert Bosch (SEA) Pte Ltd, Security Systems
11 Bishan Street 21
Singapore 573943
Phone: +65 6571 2600
Fax: +65 6571 2698
apr.securitysystems@bosch.com
www.boschsecurity.com

Represented by