

# INSTALLATION GUIDE

## AXIS Q6032-E PTZ Dome Network Camera

ENGLISH

FRANÇAIS

DEUTSCH

ITALIANO

ESPAÑOL

## About this Document

This document includes instructions for installing the AXIS Q6032-E PTZ Dome Network Camera on your network. Previous experience of networking will be beneficial when installing the product.

## Legal Considerations

Video and audio surveillance can be prohibited by laws that vary from country to country. Check the laws in your local region before using this product for surveillance purposes.

This product includes one (1) H.264 decoder license. To purchase further licenses, contact your reseller.


## Electromagnetic Compatibility (EMC)

This equipment generates, uses and can radiate radio frequency energy and, if not installed and used in accordance with the instructions, may cause harmful interference to radio communications. However, there is no guarantee that interference will not occur in a particular installation.

If this equipment does cause harmful interference to radio or television reception, which can be determined by turning the equipment off and on, the user is encouraged to try to correct the interference by one or more of the following measures: Re-orient or relocate the receiving antenna. Increase the separation between the equipment and receiver. Connect the equipment to an outlet on a different circuit to the receiver. Consult your dealer or an experienced radio/TV technician for help. Shielded (STP) network cables must be used with this unit to ensure compliance with EMC standards.

**USA** – This equipment has been tested and found to comply with the limits for a Class B computing device pursuant to Subpart B of Part 15 of FCC rules, which are designed to provide reasonable protection against such interference when operated in a commercial environment. Operation of this equipment in a residential area is likely to cause interference, in which case the user at his/her own expense will be required to take whatever measures may be required to correct the interference.

**Canada** – This Class B digital apparatus complies with Canadian ICES-003.

**Europe** –  This digital equipment fulfills the requirements for radiated emission according to limit B of EN55022, and the requirements for immunity according to EN55024 residential and commercial industry.

**Japan** – This is a class B product based on the standard of the Voluntary Control Council for Interference from Information Technology Equipment (VCCI). If this is used near a radio or television receiver in a domestic environment, it may cause radio interference. Install and use the equipment according to the instruction manual.

**Australia** – This electronic device meets the requirements of the Radio communications (Electromagnetic Compatibility) Standard AS/NZS CISPR22.

## Equipment Modifications

This equipment must be installed and used in strict accordance with the instructions given in the user documentation. This equipment contains no user-serviceable components. Unauthorized equipment changes or modifications will invalidate all applicable regulatory certifications and approvals.

## Liability

Every care has been taken in the preparation of this document. Please inform your local Axis office of any inaccuracies or omissions. Axis Communications AB cannot be held responsible for any technical or typographical errors and reserves the right to make changes to the product and documentation without prior notice. Axis Communications AB makes no warranty of any kind with regard to the material contained within this document, including, but not limited to, the implied warranties of merchantability and fitness for a particular purpose. Axis Communications AB shall not be liable nor responsible for incidental or consequential damages in connection with the furnishing, performance or use of this material.

## RoHS

This product complies with both the European RoHS directive, 2002/95/EC, and the Chinese RoHS regulations, ACPEIP.



## WEEE Directive

The European Union has enacted a Directive 2002/96/EC on Waste Electrical and Electronic Equipment (WEEE Directive). This directive is applicable in the European Union member states.



The WEEE marking on this product (see right) or its documentation indicates that the product must not be disposed of together with household waste. To prevent possible harm to human health and/or the environment, the product must be disposed of in an approved and environmentally safe recycling process. For further information on how to dispose of this product correctly, contact the product supplier, or the local authority responsible for waste disposal in your area.

Business users should contact the product supplier for information on how to dispose of this product correctly. This product should not be mixed with other commercial waste.

## Support

Should you require any technical assistance, please contact your Axis reseller. If your questions cannot be answered immediately, your reseller will forward your queries through the appropriate channels to ensure a rapid response. If you are connected to the Internet, you can:

- download user documentation and firmware updates
- find answers to resolved problems in the FAQ database. Search by product, category, or phrases
- report problems to Axis support by logging in to your private support area.

The AXIS Q6032-E uses a 3.0V CR2032 Lithium battery, for more information please see page 69.

# AXIS Q6032-E Installation Guide

This installation guide provides instructions for installing the AXIS Q6032-E Network Camera on your network. For all other aspects of using the product, please see the User's Manual, available on the CD included in this package, or from [www.axis.com/techsup](http://www.axis.com/techsup)

## Installation steps

1. Check the package contents against the list below.
2. Hardware overview. See page 4.
3. Install the hardware. See page 5.
4. Assign an IP address. See page 7.
5. Set the password. See page 10.

**Important!**

This product must be used in compliance with local laws and regulations.

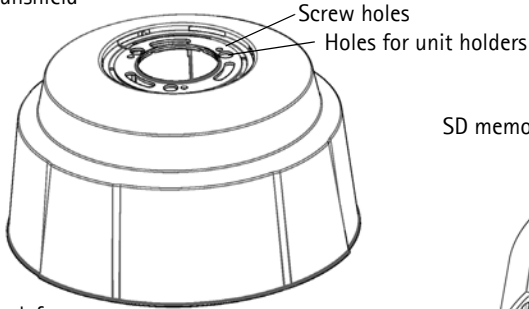
ENGLISH

## 1 Package contents

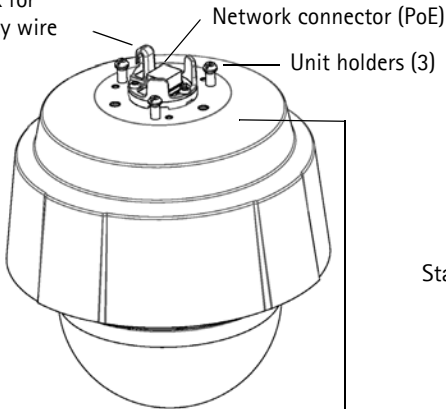
Item	Models/variants/notes
Network camera	AXIS Q6032-E 50Hz/60Hz
Dome covers	<ul style="list-style-type: none"> <li>• Clear transparent cover</li> <li>• Smoked transparent cover</li> </ul>
High PoE Midspan	AXIS T8124 including power cable (country specific)
RJ45 connector	IP66 rated network connector
Sunshield	Plastic protective cover, including screws
Labels	2 adhesive serial number labels
CD	AXIS Network Video Product CD, including product documentation, installation tools and other software
Printed materials	AXIS Q6032-E Installation Guide (this document) Axis Warranty Document
Optional accessories	See <a href="http://www.axis.com">www.axis.com</a> for information on available mounting brackets

## 2 Hardware overview

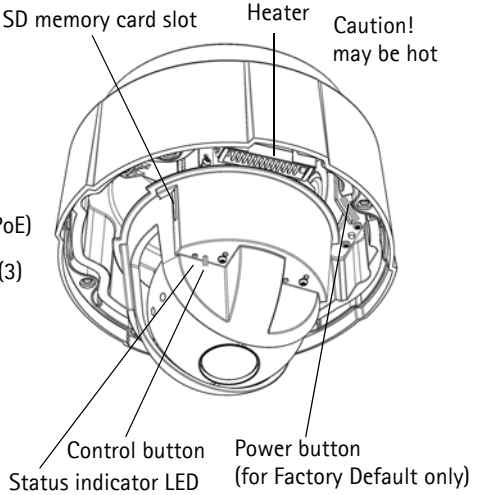
Sunshield



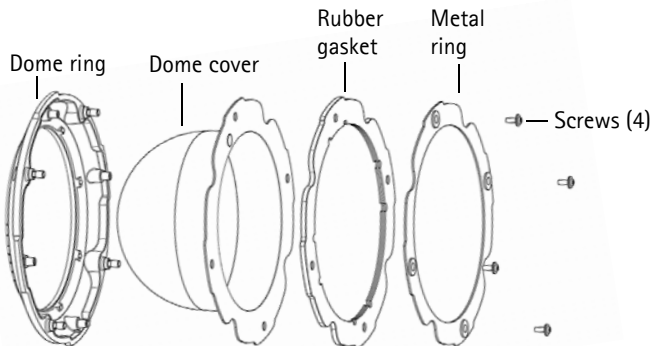
Hook for safety wire



SD memory card slot  
Heater  
Caution!  
may be hot



Part number (P/N) & Serial number (S/N).  
The serial number may be required  
during the installation.



### 3 Install the hardware

#### Before installation

AXIS Q6032-E is supplied with an optional sunshield and smoked transparent dome cover. If required, follow these instructions to attach the sunshield and replace the dome cover.

#### Attach the sunshield (optional)

1. Slide the sunshield over the unit holders on the dome camera unit.
2. Secure the sunshield using the supplied screws (Torx T20).

#### Replace the clear/smoked dome cover (optional)

1. Remove the 4 screws (see illustration on page 4).
2. Remove the metal ring and dome ring from the plastic dome cover.
3. Remove the rubber gasket from the dome cover and attach it to the selected dome cover. Be sure to attach the gasket so it fits the dome cover perfectly.
4. Attach the metal ring and dome ring and secure by tightening the 4 screws to the maximum stop.

#### Note:

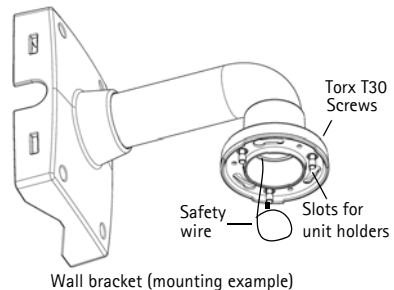
Be careful not to scratch or damage the dome cover. Use a soft cloth to wipe clean before attaching the dome cover to the camera unit.

### Install the AXIS Q6032-E

#### Important!

The supplied RJ45 connector or compatible, IP66 rated RJ45 connector must be used in order to comply with the IP66 rated design of the camera.

1. Install the selected mounting accessories according to the instructions and remove the protection cap covering the network connector on the camera.
2. Route the network cable and attach the supplied RJ45 connector. Refer to the instructions provided with the connector for information on wiring and assembly.
3. Hook the **dome camera unit** to the **safety wire** on the **bracket**.
4. Connect the network cable and RJ45 connector to the network connector on the **dome camera unit**.
5. Slide the **unit holders** on the camera into the slots on the **bracket** and rotate the camera unit.
6. Secure the **dome camera unit** to the **mounting bracket** by fastening the 3 screws (Torx T30).



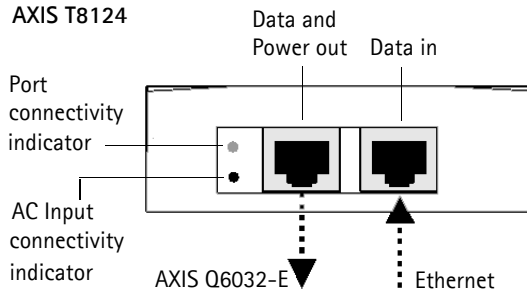
## Install the AXIS T8124 Midspan

The Axis High PoE midspan enables Axis network video products with high power consumption to receive data and power over the same Ethernet cable. Follow these instructions to connect the AXIS T8124 and AXIS Q6032-E.

### Note:

Note that Axis can only guarantee full functionality with the AXIS T8124, no other High PoE devices are supported.

1. Connect the AXIS T8124 (Data in) to the network switch using a standard network cable.
2. Connect the AXIS T8124 (Data and Power out) to the AXIS Q6032-E, using the network cable that has been connected to the camera (see above).
3. Connect the AXIS T8124 to an AC outlet (100-240 VAC), using the supplied power cable.



## AXIS T8124 Indicators

LED	Color	Indication
Port	Unlit	No camera connected
	Amber	Insufficient power for camera and heater. Check cable
	Flashing	Power overload
	Green	Camera connected, normal behavior
AC input	Steady green	AC power connected

## AXIS Q6032-E Status LED



Color	Indication
Unlit	Steady connection/normal operation
Amber	Steady for system initiating. Flashes during firmware upgrade or reset to factory default.
Amber/red	No network connection
Red	Firmware upgrade failure
Green	Steady for 10sec. after successful restart

## 4 Assign an IP address

Most networks have a DHCP server that automatically assigns IP addresses to connected devices. If your network does not have a DHCP server the AXIS Q6032-E will use 192.168.0.90 as the default IP address.

If you would like to assign a static IP address, the recommended method in Windows is either **AXIS IP Utility** or **AXIS Camera Management**. Depending on the number of cameras you wish to install, use the method that best suits your purpose.

Both of these free applications are available on the Axis Network Video Product CD supplied with this product, or they can be downloaded from [www.axis.com/techsup](http://www.axis.com/techsup)

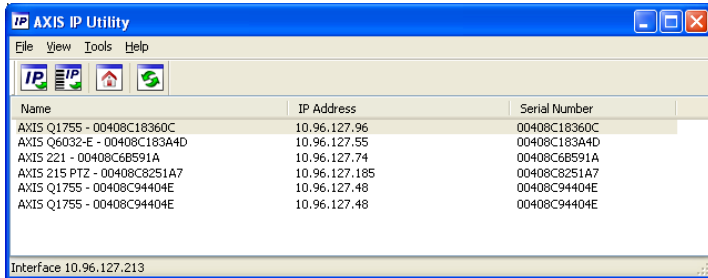
Method	Recommended for	Operating system
 AXIS IP Utility (version 2) See page 8	Single camera Small installations	Windows Vista Windows Server 2003 Windows XP Windows 2000 Windows NT 4.0
 AXIS Camera Management See page 9	Multiple cameras Large installations Installation on a different subnet	Windows Vista Windows Server 2003 Windows XP Pro Windows 2000

**Notes:**

- If assigning the IP address fails, check that there is no firewall blocking the operation.
- For other methods of assigning or discovering the IP address of the AXIS Q6032-E e.g. in other operating systems, see page 12.

## AXIS IP Utility – single camera/small installation

AXIS IP Utility automatically discovers and displays Axis devices on your network. The application can also be used to manually assign a static IP address.




Note that the computer running AXIS IP Utility must be on the same network segment (physical subnet) as the AXIS Q6032-E.

### Automatic discovery

1. Check that the camera is connected to the network and that power has been applied.
2. Start AXIS IP Utility.
3. When the camera appears in the window, double-click it to open its home page.
4. See page 10 for instructions on how to assign the password.

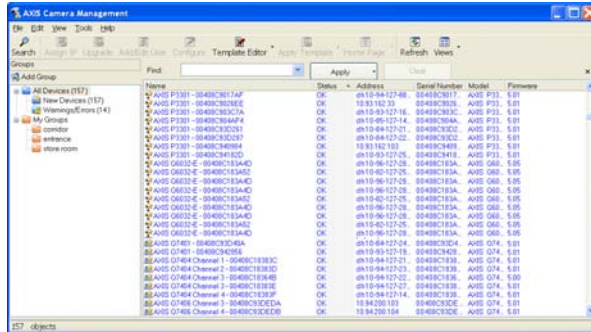
### Assign the IP address manually (optional)

1. Acquire an unused IP address on the same network segment as your computer.
2. Select the AXIS Q6032-E in the list.
3. Click the button  Assign new IP address to the selected device and enter the IP address.
4. Click the **Assign** button and follow the on-screen instructions. Note that the camera must be restarted within 2 minutes for the new IP address to be set.
5. Click the **Home Page** button to access the camera's web pages.
6. See page 10 for instructions on how to set the password.



## AXIS Camera Management - multiple cameras/large installations

AXIS Camera Management can automatically discover multiple Axis devices, show connection status, manage firmware upgrades and set IP addresses.

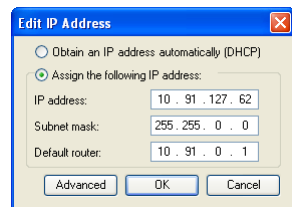


### Automatic discovery

1. Check that the camera is connected to the network and that power has been applied.
2. Start AXIS Camera Management. When the AXIS Q6032-E appears in the window, right-click the link and select Live View Home Page.
3. See page 10 for instructions on how to set the password.

### Assign an IP address in a single device

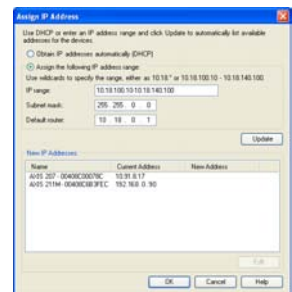
1. Select AXIS Q6032-E in AXIS Camera Management and click the Assign IP button.
2. Select Assign the following IP address and enter the IP address, subnet mask and default router the device will use.
3. Click the OK button.



### Assign IP addresses in multiple devices

AXIS Camera Management speeds up the process of assigning IP addresses to multiple devices, by suggesting IP addresses from a specified range.

1. Select the devices you wish to configure (different models can be selected) and click the Assign IP button.
2. Select Assign the following IP address range and enter the range of IP addresses, the subnet mask and default router the devices will use.
3. Click the OK button.



## 5 Set the password

To gain access to the product, the password for the default administrator user **root** must be set. This is done in the 'Configure Root Password' dialog, which is displayed when the AXIS Q6032-E is accessed for the first time.

To prevent network eavesdropping when setting the root password, this can be done via an encrypted HTTPS connection, which requires an HTTPS certificate (see note below).

To set the password via a standard HTTP connection, enter it directly in the first dialog shown below.

To set the password via an encrypted HTTPS connection, follow these steps:

1. Click the **Create self-signed certificate** button.
2. Provide the requested information and click **OK**. The certificate is created and the password can now be set securely. All traffic to and from the AXIS Q6032-E is encrypted from this point on.
3. Enter a password and then re-enter it to confirm the spelling. Click **OK**. The password has now been configured.
4. To log in, enter the user name "root" in the dialog as requested  
Note: The default administrator user name **root** cannot be deleted.
5. Enter the password as set above, and click **OK**.

The image shows three overlapping screenshots of the AXIS Q6032-E web interface:

- Top-left screenshot: 'Create Certificate'**
  - Text: "Secure configuration of the root password via HTTPS requires a self-signed certificate."
  - Button: "Create self-signed certificate..." (indicated by an arrow from the text "To create an HTTPS connection, start by clicking this button.")
- Top-right screenshot: 'Create Self-Signed Certificate'**
  - Fields: "Common name:" (value: 10.92.25.211), "Validity:" (value: 365 days).
  - Text: "The name of the entity to be certified, i.e. product."
  - Button: "OK"
  - Text below: "Once the certificate is created, this page will configure the root password via HTTPS."
- Bottom-right screenshot: 'Configure Root Password using HTTPS'**
  - Fields: "User name:" (value: root), "Password:", "Confirm password:".
  - Button: "OK"
  - Text: "The password for the pre-configured administrator root must be changed before the product can be used." and "If the password for root is lost, the product must be reset to the factory default settings, by pressing the button located in the product's casing. Please see the user documentation for more information."

An arrow from the text "To configure the password directly via an unencrypted connection, enter the password here." points to the "Configure Root Password" dialog in the top-left screenshot.

## Access the video stream

The Live View page of the AXIS Q6032-E is displayed, with links to the Setup tools, which allow you to customize the camera.

If required, click Yes to install AMC (AXIS Media Control), which allows viewing of the video stream in Internet Explorer. You will need administrator rights on the computer to do this.

**Note:**

To install AMC in Windows Vista, you must run Internet Explorer as administrator. Right-click the Internet Explorer icon and select **Run as administrator**.

**Setup** - Provides all the tools for configuring the camera to requirements.

**Help** - Displays online help on all aspects of using the camera.



**Notes:**

- HTTPS (Hypertext Transfer Protocol over Secure Socket Layer) is a protocol used to encrypt the traffic between web browsers and servers. The HTTPS certificate controls the encrypted exchange of information.
- The default administrator user root cannot be deleted.
- If the password for root is lost or forgotten, the AXIS Q6032-E must be reset to the factory default settings. See *Resetting to the Factory Default Settings*, on page 14.

## Other methods of setting the IP address

The table below shows the other methods available for setting or discovering the IP address. All methods are enabled by default, and all can be disabled.

	Use in operating system	Notes
UPnP™	Windows (ME or XP)	When enabled on your computer, the camera is automatically detected and added to "My Network Places."
Bonjour	MAC OS X (10.4 or later)	Applicable to browsers with support for Bonjour. Navigate to the Bonjour bookmark in your browser (e.g. Safari) and click on the link to access the camera's web pages.
AXIS Dynamic DNS Service	All	A free service from Axis that allows you to quickly and simply install your camera. Requires an Internet connection with no HTTP proxy. See <a href="http://www.axiscam.net">www.axiscam.net</a> for more information.
ARP/Ping	All	See below. The command must be issued within 2 minutes of connecting power to the camera.
View DHCP server admin pages	All	To view the admin pages for the network DHCP server, see the server's own documentation.

### Set the IP address with ARP/Ping

1. Acquire an IP address on the same network segment your computer is connected to.
2. Locate the serial number (S/N) on the product label on the camera.
3. Open a command prompt on your computer and enter the following commands:

<b>Windows syntax:</b>	Windows example:
<pre>arp -s &lt;IP Address&gt; &lt;Serial Number&gt; ping -l 408 -t &lt;IP Address&gt;</pre>	<pre>arp -s 192.168.0.125 00-40-8c-18-10-00 ping -l 408 -t 192.168.0.125</pre>
<b>UNIX/Linux/Mac syntax:</b>	UNIX/Linux/Mac example:
<pre>arp -s &lt;IP Address&gt; &lt;Serial Number&gt; temp ping -s 408 &lt;IP Address&gt;</pre>	<pre>arp -s 192.168.0.125 00:40:8c:18:10:00 temp ping -s 408 192.168.0.125</pre>

4. Check that the network cable is connected to the camera and then start/restart the camera, by disconnecting and reconnecting power.
5. Close the command prompt when you see 'Reply from 192.168.0.125: ...' or similar.
6. In your browser, type in `http://<IP address>` in the Location/Address field and press Enter on your keyboard.

#### Notes:

- To open a command prompt in Windows: from the Start menu, select Run... and type cmd. Click OK.
- To use the ARP command in Windows Vista, right-click the command prompt icon and select Run as administrator.
- To use the ARP command on a Mac OS X, use the Terminal utility in Application > Utilities.

## Electrical Specifications

Unit	Function	Description
<b>AXIS Q6032-E</b>	Power over Ethernet	50-57VDC, max 1.2A, Class 4

Unit	Function	Description
<b>AXIS T8124</b>	Input Voltage	100-240VAC (50-60 Hz)
	Input Current	1.2A (max)
	Available Output Power	60W (max)
	Nominal Output Voltage	54-57VDC

## Resetting to the Factory Default Settings

This will reset all parameters, including the IP address, to the Factory Default settings:

1. Remove the dome cover from the camera unit, this will automatically disconnect power from the camera.
2. Press and hold the Control button and the Power button, see illustration on page 4.
3. Keep the both buttons pressed until the Status indicator LED flashes amber (this may take up to 15 seconds).
4. Release the Control button. When the Status indicator LED displays green (which can take up to 1 minute) the process is complete and the camera has been reset.

### Note:

The Status indicator LED will display green for 10 seconds only. After that it will be unlit. Refer to the Status LED table on page 6 for more information.

5. Release the Power button and replace the dome cover, this will automatically reconnect power to the camera.
6. Re-assign the IP address, using one of the methods described in this document.

It is also possible to reset parameters to the original factory default settings via the web interface. For more information, please see the online help or the user's manual.

## Accessing the camera from the Internet

Once installed, your AXIS Q6032-E is accessible on your local network (LAN). To access the camera from the Internet, network routers must be configured to allow incoming traffic, which is usually done on a specific port.

- HTTP port (default port 80) for viewing and configuration
- RTSP port (default port 554) for viewing H.264 video streams

Please refer to the documentation for your router for further instructions. For more information on this and other topics, visit the Axis Support Web at [www.axis.com/techsup](http://www.axis.com/techsup)

## Further information

The user's manual is available from the Axis Web site at [www.axis.com](http://www.axis.com) or from the Axis Network Video Product CD supplied with this product.

### Tip!

Visit [www.axis.com/techsup](http://www.axis.com/techsup) to check if there is updated firmware available for your AXIS Q6032-E. To see the currently installed firmware version, see Setup > About.

# AXIS Q6032-E Guide d'installation

Ce guide d'installation explique comment installer l'AXIS Q6032-E Caméra réseau sur votre réseau. Pour toute autre question concernant l'utilisation du produit, reportez-vous au Manuel de l'utilisateur, que vous trouverez sur le CD joint ou sur le site [www.axis.com/techsup](http://www.axis.com/techsup)

## Procédure d'installation

1. Vérification du contenu de l'emballage par rapport à la liste ci-dessous.
2. Vue d'ensemble du matériel. Cf. page 16.
3. Installation du matériel. Cf. page 17.
4. Attribution d'une adresse IP. Cf. page 19.
5. Configuration du mot de passe. Cf. page 22.

**Important !**

Ce produit doit être utilisé conformément aux lois et dispositions locales en vigueur.

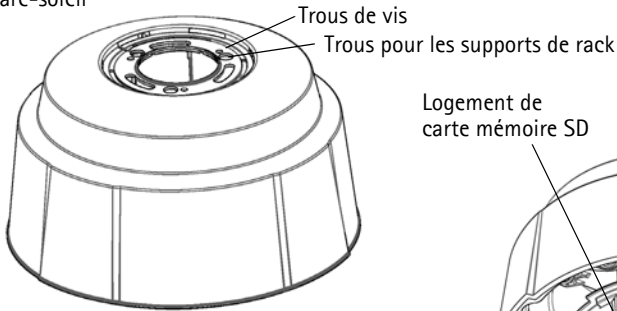
FRANÇAIS

### 1 Contenu de l'emballage

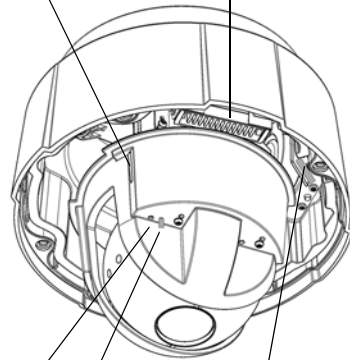
Article	Modèles/variantes/remarques
Caméra réseau	AXIS Q6032-E 50 Hz/60 Hz
Bulles du dôme	<ul style="list-style-type: none"> <li>• Bulle transparente non fumée</li> <li>• Bulle transparente fumée</li> </ul>
Injecteur de puissance High PoE	AXIS T8124 câble d'alimentation fourni (différent selon les pays)
Connecteur RJ45	Connecteur réseau norme IP66
Pare-soleil	Bulle de protection en plastique, vis fournies
Étiquettes	2 étiquettes autocollantes avec le numéro de série
CD	CD de la caméra vidéo sur IP Axis comprenant la documentation, les outils d'installation et les autres logiciels
Documentation	Guide d'installation de l'AXIS Q6032-E (le présent document) Document de garantie d'Axis
Accessoires en option	Consultez le site à l'adresse <a href="http://www.axis.com">www.axis.com</a> pour plus d'informations sur les supports de fixation disponibles

## 2 Description du matériel

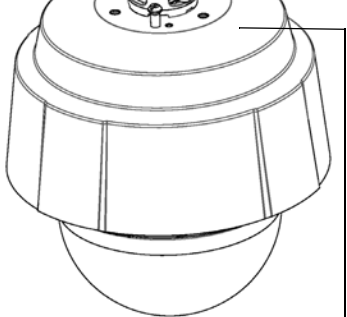
Pare-soleil



Logement de  
carte mémoire SD  
Radiateur  
Attention !  
peut être très chaud



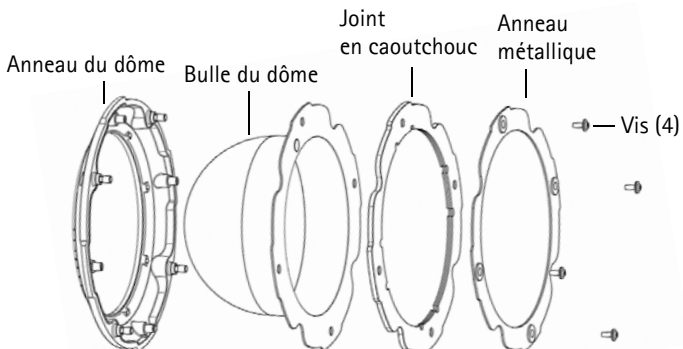
Crochet pour  
fil de sécurité  
Connecteur réseau (PoE)  
Supports  
de rack (3)



Bouton de  
commande  
Voyant d'état  
Bouton marche/arrêt  
(pour les valeurs d'usine  
par défaut uniquement)

Caméra dôme

Référence et numéro de série.  
Le numéro de série peut être  
demandé pendant l'installation.





## 3 Installation du matériel

### Avant l'installation

AXIS Q6032-E est fourni avec un pare-soleil en option et une bulle du dôme transparente et fumée. Si nécessaire, procédez comme suit pour fixer le pare-soleil et remplacer la bulle du dôme.

### Fixation du pare-soleil (facultatif)

1. Glissez le pare-soleil sur les supports de rack de la caméra dôme.
2. Fixez le pare-soleil à l'aide des vis fournies (Torx T20).

### Remplacement la bulle du dôme fumée/non fumée (facultatif)

1. Retirez les 4 vis (voir illustration à la page 16).
2. Retirez l'anneau métallique et l'anneau du dôme de la bulle en plastique.
3. Retirez le joint en caoutchouc et fixez-le sur la bulle du dôme choisie. Assurez-vous de bien fixer le joint de manière à ce qu'il s'emboîte parfaitement avec la bulle du dôme.
4. Fixez l'anneau métallique et l'anneau du dôme en serrant les 4 vis au maximum.

#### Remarque :

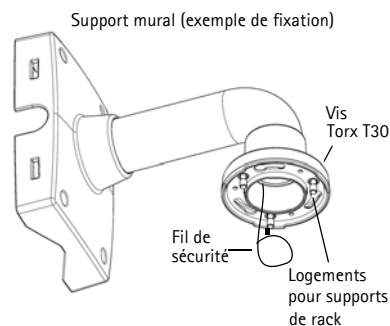
Veillez à ne pas rayer ou endommager la bulle du dôme. Utilisez un chiffon doux pour nettoyer la bulle du dôme avant de le fixer à la caméra.

## Installation de AXIS Q6032-E

### Important !

Le design norme IP66 de la caméra nécessite l'utilisation des connecteurs RJ45 ou RJ45 compatible norme IP66 fournis.

1. Installez les accessoires de fixation sélectionnés conformément aux instructions et retirez la protection du connecteur réseau de la caméra.
2. Acheminez le câble réseau et fixez le connecteur RJ45 fourni. Reportez-vous aux instructions fournies avec le connecteur pour plus d'informations sur le câblage et le montage.
3. Accrochez la **caméra dôme** au **fil de sécurité** du support.
4. Connectez le câble réseau et le connecteur RJ45 au connecteur réseau de la **caméra dôme**.
5. Glissez les **supports de rack** de la caméra dôme dans les logements du support et tournez la caméra.
6. Fixez la **caméra dôme** au support de fixation à l'aide des 3 vis (Torx T30).



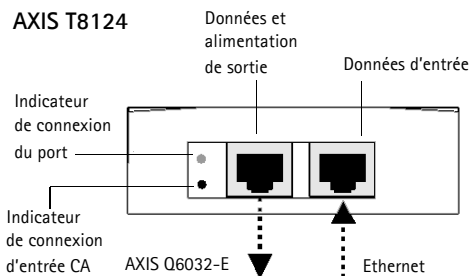
## Installation de l'injecteur AXIS T8124

L'injecteur de puissance High PoE Axis permet aux produits vidéo Axis consommant une quantité importante d'énergie de recevoir des données et de l'alimentation via le même câble Ethernet. Procédez comme suit pour connecter l'AXIS T8124 et l'AXIS Q6032-E.

### Remarque :

Notez que Axis peut garantir l'intégralité des fonctions pour le modèle AXIS T8124 uniquement, tout autre périphérique High PoE n'est pas pris en charge.

1. Branchez l'AXIS T8124 (Données d'entrée) au commutateur réseau via un câble réseau standard.
2. Branchez l'AXIS T8124 (Données et alimentation de sortie) à l'AXIS Q6032-E, via un câble réseau déjà branché à la caméra (voir ci-dessus).
3. Branchez l'AXIS T8124 sur une prise CA (100-240 V CA), à l'aide du câble d'alimentation fourni.



### Indicateurs AXIS T8124

DEL	Couleur	Indication
Port	Éteint	Aucune caméra connectée
	Orange	Alimentation insuffisante pour la caméra et le radiateur. Vérifiez le câble
	Clignotement	Surcharge de l'alimentation
	Vert	Caméra connectée, fonctionnement normal
Entrée AC	Vert continu	Alimentation CA connectée

### Voyant d'état de l'AXIS Q6032-E



Couleur	Indication
Éteint	Connexion stable/fonctionnement normal
Orange	Continu pour le démarrage du système. Clignote pendant les mises à niveau du microprogramme ou le rétablissement des valeurs par défaut configurées en usine.
Orange/rouge	Pas de connexion au réseau.
Rouge	Échec de la mise à jour du micrologiciel
Vert	Continu pendant 10 s après avoir redémarré avec succès

## 4 Attribution d'une adresse IP

La plupart des réseaux sont équipés d'un serveur DHCP qui attribue automatiquement des adresses IP aux périphériques connectés. Si votre réseau en est dépourvu, votre AXIS Q6032-E utilisera 192.168.0.90 comme adresse IP par défaut.

Si vous souhaitez paramétrer une adresse IP statique, sous Windows nous recommandons l'utilisation de l'application **AXIS IP Utility** ou de l'application **AXIS Camera Management**. Selon le nombre de caméras à installer, choisissez la méthode qui vous convient le mieux.

Ces deux applications gratuites sont disponibles sur le CD de la caméra vidéo sur IP Axis fourni avec ce produit. Vous pouvez également les télécharger à partir du site [www.axis.com/techsup](http://www.axis.com/techsup).

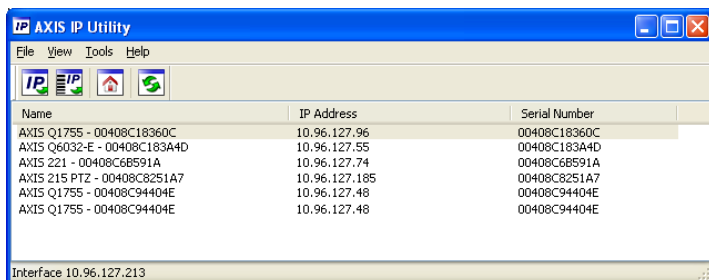
Méthode	Recommandée pour	Système d'exploitation
 AXIS IP Utility (version 2) Voir page 20	Une seule caméra Petites installations	Windows Vista Windows Server 2003 Windows XP Windows 2000 Windows NT 4.0
 AXIS Camera Management Voir page 21	Plusieurs caméras Grandes installations Installation sur un autre sous-réseau	Windows Vista Windows Server 2003 Windows XP Pro Windows 2000

### Remarques :

- En cas d'échec de l'attribution d'adresse IP, vérifiez qu'aucun pare-feu ne bloque l'opération.
- Pour connaître les autres méthodes d'attribution ou de détection de l'adresse IP de votre AXIS Q6032-E, par exemple sous d'autres systèmes d'exploitation, reportez-vous à la page 24.

## AXIS IP Utility – Une seule caméra/petite installation

AXIS IP Utility recherche et affiche automatiquement les périphériques Axis sur votre réseau. Cette application sert également à attribuer manuellement une adresse IP statique.




Notez que l'ordinateur exécutant l'application AXIS IP Utility doit se trouver sur le même segment de réseau (sous-réseau physique) que l'AXIS Q6032-E.

### Détection automatique

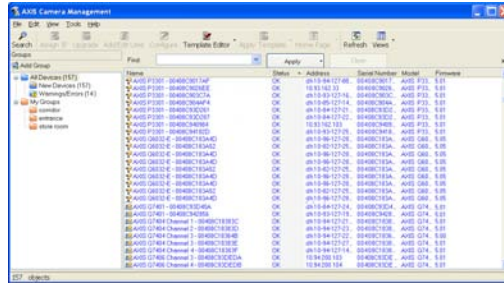
1. Vérifiez que la caméra est connectée au réseau et sous tension.
2. Lancez AXIS IP Utility.
3. Lorsque l'icône de la caméra apparaît dans la fenêtre, double-cliquez dessus pour ouvrir la page d'accueil correspondante.
4. Reportez-vous à la page 22 pour savoir comment configurer le mot de passe.

### Attribution manuelle de l'adresse IP (facultatif)

1. Trouvez une adresse IP non utilisée sur le même segment de réseau que celui de votre ordinateur.
2. Sélectionnez AXIS Q6032-E dans la liste.
3. Cliquez sur le bouton  Assign new IP address to the selected device (Attribuer une nouvelle adresse IP au périphérique sélectionné) et saisissez l'adresse IP.
4. Cliquez sur le bouton Assign (Attribuer) et suivez les instructions affichées à l'écran. La caméra doit être redémarrée dans les 2 minutes pour que la nouvelle adresse IP soit prise en compte.
5. Cliquez sur le bouton Home Page (Page d'accueil) pour accéder aux pages Web de la caméra.
6. Reportez-vous à la page 22 pour savoir comment configurer le mot de passe.

## AXIS Camera Management – Plusieurs caméras/grandes installations


AXIS Camera Management peut détecter automatiquement plusieurs périphériques Axis, afficher l'état de connexion, gérer les mises à niveau du micrologiciel et configurer les adresses IP.

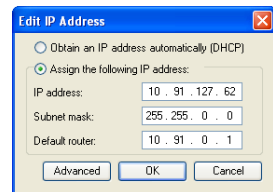


### Détection automatique

1. Vérifiez que la caméra est connectée au réseau et sous tension.
2. Lancez AXIS Camera Management. Lorsque l'AXIS Q6032-E apparaît dans la fenêtre, cliquez sur le lien avec le bouton droit de la souris et sélectionnez **Live View Home Page** (Page d'accueil – Vidéo en direct).
3. Reportez-vous à la page 22 pour savoir comment configurer le mot de passe.


### Attribution d'une adresse IP à un seul périphérique

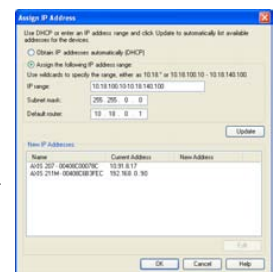
1. Sélectionnez AXIS Q6032-E dans l'application AXIS Camera Management, puis cliquez sur le bouton **Assign IP** (Attribuer une adresse IP). 
2. Sélectionnez **Assign the following IP address** (Attribuer l'adresse IP suivante) et saisissez l'adresse IP, le masque de sous-réseau et le routeur par défaut que le périphérique utilisera.
3. Cliquez sur le bouton **OK**.



### Attribution d'adresses IP à plusieurs périphériques

AXIS Camera Management accélère le processus d'attribution d'adresses IP à plusieurs périphériques en suggérant des adresses IP parmi une plage spécifiée.

1. Sélectionnez les périphériques à configurer (il peut s'agir de plusieurs modèles), puis cliquez sur le bouton **Assign IP** (Attribuer une adresse IP). 
2. Sélectionnez **Assign the following IP address range** (Attribuer la plage d'adresses IP suivante) et saisissez la plage d'adresses IP, le masque de sous-réseau et le routeur par défaut que les périphériques utiliseront.
3. Cliquez sur le bouton **OK**.



## 5 Configuration du mot de passe

Pour accéder au produit, le mot de passe par défaut de l'administrateur, **root**, doit être configuré. Vous pouvez effectuer cette opération dans la boîte de dialogue **Configure Root Password** (Configurer le mot de passe root) qui s'affiche lors du premier accès à l'AXIS Q6032-E.

Pour éviter les écoutes électroniques lors de la configuration du mot de passe root, utilisez une connexion HTTPS cryptée nécessitant un certificat HTTPS (voir la remarque ci-dessous).

Pour configurer le mot de passe avec une connexion HTTP standard, saisissez directement le mot de passe dans la première boîte de dialogue représentée ci-dessous.

Pour configurer le mot de passe avec une connexion HTTPS cryptée, procédez comme suit :

1. Cliquez sur le bouton **Create self-signed certificate** (Créer un certificat autosigné).
2. Saisissez les informations demandées, puis cliquez sur **OK**. Le certificat est créé et le mot de passe peut maintenant être configuré en toute sécurité. Tout le trafic vers et depuis l'AXIS Q6032-E est désormais crypté.
3. Saisissez un mot de passe, puis saisissez-le de nouveau pour confirmation. Cliquez sur **OK**. Le mot de passe est maintenant configuré.
4. Pour vous connecter, saisissez le nom d'utilisateur « **root** » dans la boîte de dialogue à l'invite. Remarque : le nom d'utilisateur par défaut de l'administrateur est **root** et il ne peut pas être supprimé.
5. Saisissez le mot de passe configuré ci-dessus et cliquez sur **OK**.

Pour créer une connexion HTTPS, cliquez sur ce bouton.

Pour configurer directement le mot de passe via une connexion cryptée, saisissez le mot de passe à cet endroit.

## Accès au flux de données vidéo

La page Live View (Vidéo en direct) de la caméra AXIS Q6032-E s'affiche, avec des liens vers les outils de configuration, lesquels vous permettent d'adapter la caméra à vos besoins.

Si nécessaire, cliquez sur Yes (Oui) pour installer AMC (AXIS Media Control) afin de pouvoir visualiser le flux de données vidéo dans Internet Explorer. Vous devez pour cela avoir des droits d'administrateur sur cet ordinateur.

### Remarque :

Pour installer AMC sous Windows Vista, vous devez exécuter Internet Explorer en tant qu'administrateur. Cliquez avec le bouton droit de la souris sur l'icône Internet Explorer icon et sélectionnez **Exécuter en tant qu'administrateur**.

**Setup** (Configuration) : contient tous les outils nécessaires pour configurer la caméra en fonction de vos besoins.

**Help** (Aide) : affiche l'aide en ligne sur tout ce qui a trait à l'utilisation de la caméra.



### Remarques :

- Le protocole HTTPS (Hypertext Transfer Protocol over Secure Socket Layer) est utilisé pour crypter le trafic entre les navigateurs Web et les serveurs. Le certificat HTTPS contrôle l'échange crypté d'informations.
- Le mot de passe root de l'administrateur par défaut ne peut pas être supprimé.
- Si vous perdez ou oubliez le mot de passe root, les paramètres par défaut définis en usine de la caméra AXIS Q6032-E devront être rétablis. Cf. *Rétablissement des paramètres d'usine par défaut*, page 26.

## Autres méthodes de définition de l'adresse IP

Le tableau ci-dessous indique les autres méthodes permettant de configurer ou de déterminer l'adresse IP. Toutes les méthodes sont activées par défaut et peuvent être désactivées.

	Utilisation sous le système d'exploitation	Remarques
UPnP™	Windows (ME ou XP)	Lorsque la caméra est activée sur votre ordinateur, elle est détectée automatiquement et vient s'ajouter au dossier Favoris réseau.
Bonjour	MAC OS X (10.4 ou version ultérieure)	Pour les navigateurs compatibles avec Bonjour : accédez au signet de Bonjour dans votre navigateur (par exemple Safari), puis cliquez sur le lien permettant d'accéder aux pages Web de la caméra.
AXIS Dynamic DNS Service	Tous	Service Axis gratuit vous permettant d'installer rapidement et facilement votre caméra. Nécessite une connexion Internet sans proxy HTTP. Pour plus d'informations, rendez-vous sur le site <a href="http://www.axiscam.net">www.axiscam.net</a> .
ARP/Ping	Tous	Reportez-vous aux instructions ci-dessous. La commande doit être saisie dans les 2 minutes suivant la mise sous tension de la caméra.
Affichage des pages administratives du serveur DHCP	Tous	Pour consulter les pages administratives du serveur DHCP réseau, reportez-vous à la documentation du serveur.

### Définition de l'adresse IP à l'aide d'ARP/Ping

1. Trouvez une adresse IP sur le même segment de réseau que celui de votre ordinateur.
2. Repérez le numéro de série (S/N) sur l'étiquette de la caméra.
3. Ouvrez une invite de commande sur votre ordinateur et saisissez les commandes suivantes :

<b>Syntaxe pour Windows :</b>	<b>Exemple pour Windows :</b>
arp -s <Adresse IP> <Numéro de série> ping -l 408 -t <Adresse IP>	arp -s 192.168.0.125 00-40-8c-18-10-00 ping -l 408 -t 192.168.0.125
<b>Syntaxe pour UNIX/Linux/Mac :</b>	<b>Exemple pour UNIX/Linux/Mac :</b>
arp -s <Adresse IP> <Numéro de série> temp ping -s 408 <Adresse IP>	arp -s 192.168.0.125 00:40:8c:18:10:00 temp ping -s 408 192.168.0.125

4. Vérifiez que le câble réseau est connecté à la caméra, puis démarrez/redémarrez cette dernière en débranchant puis en rebranchant l'alimentation.
5. Fermez l'invite de commande quand vous voyez « Reply from 192.168.0.125:... » (Réponse de 192.168.0.125 : ...) ...' ou un message similaire.
6. Dans votre navigateur, tapez <http://<Adresse IP>> dans le champ Emplacement/Adresse, puis appuyez sur la touche Entrée de votre clavier.



**Remarques :**

- Pour ouvrir une invite de commande sous Windows : dans le menu Démarrer, sélectionnez Exécuter... et tapez cmd. Cliquez sur OK.
- Pour utiliser la commande ARP sous Windows Vista, cliquez avec le bouton droit de la souris sur l'icône d'invite de commande et sélectionnez Exécuter en tant qu'administrateur.
- Pour utiliser la commande ARP sous Mac OS X, utilisez l'utilitaire Terminal dans Application > Utilitaires.

## Caractéristiques électriques

Unité	Fonction	Description
<b>AXIS Q6032-E</b>	Alimentation par Ethernet	50-57 V CC, max. 1,2 A, Classe 4

Unité	Fonction	Description
<b>AXIS T8124</b>	Tension d'entrée	100-240 V CA (50-60 Hz)
	Courant d'entrée	1,2 A (max.)
	Puissance de sortie disponible	60 W (max.)
	Tension de sortie nominale	54-57 V CC

## Rétablissement des paramètres d'usine par défaut

Procédez comme suit pour rétablir tous les paramètres par défaut définis en usine, y compris l'adresse IP :

1. Retirez le couvercle du dôme de la caméra, cela mettra automatiquement la caméra hors tension.
2. Appuyez sur le bouton de commande et sur le bouton marche/arrêt et maintenez-les enfoncés, voir illustration à la page 16.
3. Maintenez les deux boutons enfoncés jusqu'à ce que le voyant d'état clignote en orange (cela peut prendre jusqu'à 15 secondes).
4. Relâchez le bouton de commande. Lorsque le voyant d'état émet une lumière verte (ce qui peut prendre 1 minute), les paramètres par défaut de la caméra ont été rétablis.

### Remarque :

Le voyant d'état émet une lumière verte pendant 10 secondes seulement. Il s'éteint ensuite. Reportez-vous au tableau des voyants à la page 18 pour plus d'informations.

5. Relâchez le bouton marche/arrêt et réinstallez le couvercle du dôme, cela remettra automatiquement la caméra sous tension.
6. Attribuez à nouveau l'adresse IP à l'aide de l'une des méthodes décrites dans ce document.

Il est également possible de rétablir les paramètres d'usine par défaut d'origine à partir de l'interface Web. Pour plus d'informations, reportez-vous à l'aide en ligne ou au manuel d'utilisation.

## Accès à la caméra sur Internet

Une fois installée, votre AXIS Q6032-E est accessible sur votre réseau local (LAN). Pour accéder à la caméra via Internet, les routeurs réseau doivent être configurés pour autoriser le trafic entrant, ce qui est généralement réalisé sur un port spécifique.

- Le port HTTP (port 80 par défaut) pour l'affichage et la configuration
- Le port RTSP (port 554 par défaut) pour l'affichage des flux de données vidéo H.264

Pour plus d'informations, consultez la documentation du routeur. Pour plus d'informations à ce sujet ou pour toute autre question, consultez la page Axis Support Web à l'adresse [www.axis.com/techsup](http://www.axis.com/techsup).

## Plus d'informations

Le manuel de l'utilisateur est disponible sur le site Web d'Axis ([www.axis.com](http://www.axis.com)) et sur le CD CD de la caméra vidéo sur IP Axis fourni avec ce produit.

### Conseil :

consultez le site [www.axis.com/techsup](http://www.axis.com/techsup) pour vérifier si des mises à jour de micrologiciel sont disponibles pour votre AXIS Q6032-E. Pour connaître la version du micrologiciel actuellement installée, reportez-vous à la page Setup > About (Configuration - À propos de).

# AXIS Q6032-E Installationsanleitung

In dieser Anleitung wird die Installation der AXIS Q6032-E Netzwerk-Kamera in einem Netzwerk beschrieben. Alle weiteren Hinweise zur Verwendung des Produkts finden Sie im Benutzerhandbuch, das auf der mitgelieferten CD sowie auf unserer Website unter [www.axis.com/techsup](http://www.axis.com/techsup) zur Verfügung steht.

## Installationsschritte

1. Prüfen Sie, ob alle in der nachfolgenden Liste aufgeführten Komponenten vorhanden sind.
2. Hardwareübersicht. Siehe Seite 28.
3. Installieren der Hardware. Siehe Seite 29.
4. Festlegen einer IP-Adresse. Siehe Seite 32.
5. Festlegen des Kennworts. Siehe Seite 35.

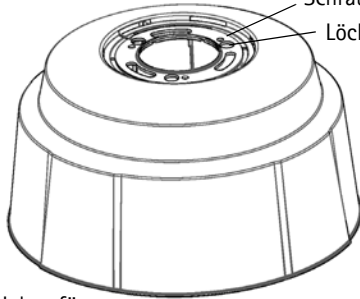
**Wichtig!**  
Verwenden Sie dieses Produkt unter Beachtung der geltenden rechtlichen Bestimmungen.

## 1 Lieferumfang

Komponente	Modelle/Varianten/Anmerkungen
Netzwerk-Kamera	AXIS Q6032-E 50 Hz/60 Hz
Kuppelabdeckungen	<ul style="list-style-type: none"> <li>• Klare transparente Abdeckung</li> <li>• Getönte transparente Abdeckung</li> </ul>
High PoE Midspan	AXIS T8124 einschließlich Netzkabel (länderspezifisch)
RJ45-Stecker	IP66-konformer Netzwerkstecker
Sonnenschutz	Kunststoff-Schutzabdeckung, einschließlich Schrauben
Etiketten	2 Klebeetiketten mit der Seriennummer
CD	CD für AXIS-Netzwerkvideoprodukte einschließlich Produktdokumentation, Installationswerkzeugen und anderer Software
Gedruckte Dokumente	AXIS Q6032-E Installationsanleitung (dieses Dokument) Axis-Garantieerklärung
Optionales Zubehör	Unter <a href="http://www.axis.com">www.axis.com</a> finden Sie Informationen zu den verfügbaren Halterungen

## 2 Hardwareübersicht

Sonnenschutz



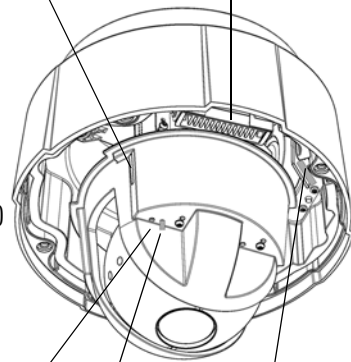
Schraubenlöcher

Löcher für Kamerabefestigungen

SD-Speicherkarteneinschub

Heizelement

Vorsicht!  
kann heiß sein



Haken für  
Sicherheitsdraht

Netzwerkanschluss (PoE)

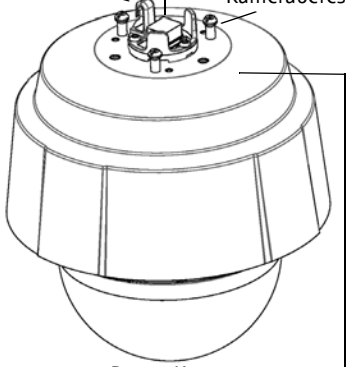
Kamerabefestigungen (3)

Steuertaste

Statusanzeige (LED)

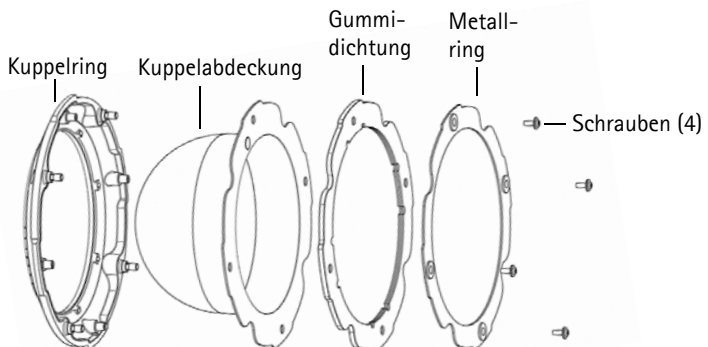
Netztaste

(nur für  
Werkseinstellungen)



Dome-Kamera

Artikelnummer (P/N) und Seriennummer (S/N).  
Die Seriennummer wird für die Installation  
benötigt.



Kuppelring

Kuppelabdeckung

Gummi-  
dichtung

Metall-  
ring

Schrauben (4)

## 3 Installieren der Hardware

### Vor der Installation

Die AXIS Q6032-E wird mit einem optionalen Sonnenschutz und einer optionalen getönten, transparenten Kuppelabdeckung geliefert. Führen Sie bei Bedarf die folgenden Schritte aus, um den Sonnenschutz anzubringen und die Kuppelabdeckung auszutauschen.

### Anbringen des Sonnenschutzes (optional)

1. Schieben Sie den Sonnenschutz über die Kamerabefestigungen an der Dome-Kameraeinheit.
2. Befestigen Sie den Sonnenschutz mit den mitgelieferten Schrauben (Torx T20).

### Austauschen der klaren/getönten Kuppelabdeckung (optional)

1. Entfernen Sie die 4 Schrauben (siehe Abbildung auf Seite 28).
2. Entfernen Sie den Metallring und den Kuppelring von der Kunststoff-Kuppelabdeckung.
3. Entfernen Sie die Gummidichtung von der Kuppelabdeckung und bringen Sie sie an der gewählten Kuppelabdeckung an. Stellen Sie sicher, dass die Dichtung genau an der Kuppelabdeckung ausgerichtet ist.
4. Bringen Sie den Metallring und den Kuppelring an und befestigen Sie diese, indem Sie die 4 Schrauben so weit wie möglich anziehen.

#### Hinweis:

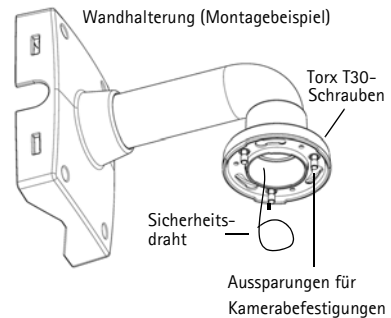
Achten Sie darauf, die Kuppelabdeckung nicht zu zerkratzen oder zu beschädigen. Säubern Sie die Kuppelabdeckung mit einem weichen Tuch, bevor Sie sie an der Kameraeinheit anbringen.

## Installieren der AXIS Q6032-E

### Wichtig!

Es muss der mitgelieferte RJ45-Stecker oder ein kompatibler, IP66-konformer RJ45-Stecker verwendet werden, um dem IP66-konformen Design der Kamera zu entsprechen.

1. Bringen Sie das gewählte Montagezubehör den Anweisungen entsprechend an und entfernen Sie die Schutzkappe über dem Netzwerkanschluss an der Kamera.
2. Ziehen Sie das Netzwerkkabel und bringen Sie den mitgelieferten RJ45-Stecker daran an. Informationen zum Verkabeln und zum Zusammenbau finden Sie in den mit dem Stecker gelieferten Anweisungen.
3. Haken Sie die **Dome-Kameraeinheit** in den **Sicherheitsdraht** an der **Halterung** ein.
4. Verbinden Sie das Netzwerkkabel mit dem RJ45-Stecker mit dem Netzwerkanschluss an der **Dome-Kameraeinheit**.
5. Schieben Sie die **Kamerabefestigungen** an der Kamera in die **Aussparungen** in der **Halterung** und drehen Sie die Kameraeinheit.
6. Befestigen Sie die **Dome-Kameraeinheit** an der **Halterung**, indem Sie die 3 Schrauben (Torx T30) anziehen.



## Installieren des AXIS T8124 Midspan

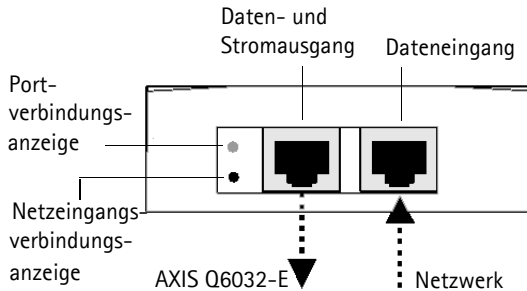
Mit dem Axis High PoE Midspan können Netzwerk-Videoprodukte von Axis mit einem großen Stromverbrauch über dasselbe Ethernet-Kabel sowohl mit Daten als auch mit Strom versorgt werden. Führen Sie zum Verbinden des AXIS T8124 und der AXIS Q6032-E die folgenden Schritte aus.

### Hinweis:

Beachten Sie, dass Axis eine volle Funktionsfähigkeit nur mit dem AXIS T8124 gewährleisten kann. Andere High PoE-Geräte werden nicht unterstützt.

1. Verbinden Sie den AXIS T8124 (Dateneingang) über ein Standard-Netzwerkkabel mit dem Netzwerk-Switch.
2. Verbinden Sie den AXIS T8124 (Daten- und Stromausgang) über das zuvor an die Kamera angeschlossene Netzwerkkabel (s. o.) mit der AXIS Q6032-E.
3. Schließen Sie den AXIS T8124 über das mitgelieferte Netzkabel an eine Netzsteckdose (100-240 V Wechselstrom) an.

AXIS T8124



DEUTSCH

**AXIS T8124 - Anzeigen**

LED	Farbe	Bedeutung
Port	Leuchtet nicht	Keine Kamera angeschlossen
	Gelb	Nicht genügend Strom für Kamera und Heizelement. Überprüfen Sie das Kabel.
	Blinkt	Stromüberlast
	Grün	Kamera verbunden, normales Verhalten
Netzeingang	Konstant grün	Netzstrom verbunden

**AXIS Q6032-E - Status-LED**



Farbe	Bedeutung
Leuchtet nicht	Konstante Verbindung/Normalbetrieb
Gelb	Konstant während Systeminitialisierung. Blinkt während Firmware-Aktualisierung und Wiederherstellung der Werkseinstellungen.
Gelb/rot	Keine Netzwerkverbindung vorhanden
Rot	Firmware-Aktualisierung fehlgeschlagen
Grün	Konstant für 10 Sek. nach erfolgreichem Neustart

## 4 Zuweisen einer IP-Adresse

In den meisten Netzwerken ist ein DHCP-Server eingebunden, der angeschlossenen Geräten automatisch IP-Adressen zuweist. Wenn Ihr Netzwerk über keinen DHCP-Server verfügt, wird für die AXIS Q6032-E die Standard-IP-Adresse 192.168.0.90 verwendet.

Zum Zuweisen einer statischen IP-Adresse stehen unter Windows die Programme **AXIS IP Utility** und **AXIS Camera Management** zur Verfügung. Verwenden Sie die Methode, die für die gewünschte Anzahl der zu installierenden Kameras geeignet ist.

Beide Anwendungen stehen kostenlos auf der mitgelieferten CD für Axis-Netzwerkvideoprodukte zur Verfügung oder können unter [www.axis.com/techsup](http://www.axis.com/techsup) heruntergeladen werden.

Methode	Empfohlen für	Betriebssystem
 AXIS IP Utility (Version 2) Siehe Seite 33	Einzelne Kamera Kleine Installationen	Windows Vista Windows Server 2003 Windows XP Windows 2000 Windows NT 4.0
 AXIS Camera Management Siehe Seite 34	Mehrere Kameras Große Installationen Installation in einem anderen Subnetz	Windows Vista Windows Server 2003 Windows XP Pro Windows 2000

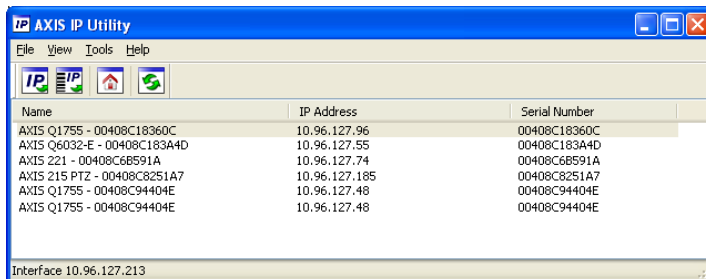
### Hinweise:

- Falls Sie die IP-Adresse nicht zuweisen können, müssen ggf. die Einstellungen der Firewall überprüft werden.
- Weitere Informationen zu alternativen Methoden zum Festlegen der IP-Adresse der AXIS Q6032-E (z. B. in anderen Betriebssystemen) finden Sie auf Seite 37.



## AXIS IP Utility – Einzelne Kamera/kleine Installation

AXIS IP Utility erkennt automatisch im Netzwerk vorhandene Axis-Geräte und zeigt diese an. Die Anwendung kann außerdem zur manuellen Zuweisung einer statischen IP-Adresse verwendet werden.




Beachten Sie, dass sich die AXIS Q6032-E und der Computer, auf dem AXIS IP Utility ausgeführt wird, im gleichen Netzwerksegment (d. h. physischen Subnetz) befinden müssen.

### Automatische Erkennung

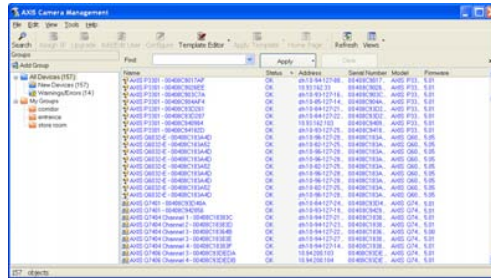
1. Stellen Sie sicher, dass die Kamera an das Netzwerk und die Stromversorgung angeschlossen ist.
2. Starten Sie AXIS IP Utility.
3. Doppelklicken Sie auf das Symbol der Kamera, um die entsprechende Startseite zu öffnen.
4. Anweisungen zum Festlegen des Kennworts finden Sie auf Seite 35.

### Manuelle Zuweisung der IP-Adresse (optional)

1. Wählen Sie eine nicht zugewiesene IP-Adresse im selben Netzwerksegment, in dem sich Ihr Computer befindet.
2. Wählen Sie die AXIS Q6032-E aus der Liste.
3. Klicken Sie auf die Schaltfläche  **Assign new IP address to the selected device** (Zuweisung einer neuen IP-Adresse an das ausgewählte Gerät) und geben Sie die IP Adresse an.
4. Klicken Sie auf die Schaltfläche **Assign** (Zuweisen) und folgen Sie den Anweisungen. Beachten Sie, dass die Kamera innerhalb von 2 Minuten neu gestartet werden muss, um die neue IP-Adresse festzulegen.
5. Klicken Sie auf die Schaltfläche **Home Page** (Startseite), um auf die Webseiten der Kamera zuzugreifen.
6. Anweisungen zum Festlegen des Kennworts finden Sie auf Seite 35.

## AXIS Camera Management – mehrere Kameras/große Installationen


Mit AXIS Camera Management können automatisch mehrere Axis-Geräte erkannt, der Verbindungsstatus angezeigt, die Firmware-Aktualisierungen verwaltet und IP-Adressen festgelegt werden.

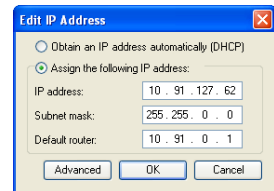


### Automatische Erkennung

1. Stellen Sie sicher, dass die Kamera an das Netzwerk und die Stromversorgung angeschlossen ist.
2. Starten Sie AXIS Camera Management. Wenn die AXIS Q6032-E im Fenster angezeigt wird, klicken Sie mit der rechten Maustaste auf den Link und wählen Sie **Live View Home Page** (Homepage der Live-Ansicht).
3. Anweisungen zum Festlegen des Kennworts finden Sie auf Seite 35.


### Zuweisen einer IP-Adresse für ein einzelnes Gerät

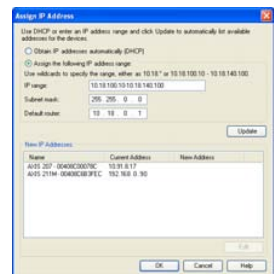
1. Wählen Sie die AXIS Q6032-E im AXIS Camera Management und klicken Sie auf die Schaltfläche **Assign IP** (IP-Adresse zuweisen). 
2. Wählen Sie die Option **Assign the following IP address** (Folgende IP-Adresse zuweisen) und geben Sie die IP-Adresse, die Subnetzmaske und den Standardrouter für das Gerät ein.
3. Klicken Sie auf **OK**.



### IP-Adressen mehreren Geräten zuweisen

AXIS Camera Management beschleunigt die Zuweisung von IP-Adressen an mehrere Geräte, indem IP-Adressen aus einem angegebenen Bereich vorgeschlagen werden.

1. Wählen Sie die zu konfigurierenden Geräte aus (es können auch unterschiedliche Modelle gewählt werden) und klicken Sie auf die Schaltfläche **Assign IP** (IP-Adresse zuweisen). 
2. Wählen Sie die Option **Assign the following IP address range** (Folgenden IP-Adressbereich zuweisen) und geben Sie den IP-Adressbereich, die Subnetzmaske und den Standardrouter für die Geräte ein.
3. Klicken Sie auf **OK**.



## 5 Festlegen des Kennworts

Für den Zugriff auf das Produkt muss das Kennwort für den standardmäßigen Administrator-Benutzer **root** festgelegt werden. Dies erfolgt über das Dialogfeld „Configure Root Password“ (Root-Kennwort konfigurieren), das beim erstmaligen Zugriff auf die AXIS Q6032-E angezeigt wird.

Um ein Abhören der Netzwerkkommunikation während der Festlegung des Root-Kennworts zu vermeiden, können Sie diesen Vorgang über eine verschlüsselte HTTPS-Verbindung durchführen, die ein HTTPS-Zertifikat erfordert (siehe folgenden Hinweis).

Um das Kennwort über eine standardmäßige HTTP-Verbindung festzulegen, geben Sie es direkt in das erste unten abgebildete Dialogfeld ein.

Um das Kennwort über eine verschlüsselte HTTPS-Verbindung festzulegen, gehen Sie wie folgt vor:

1. Klicken Sie auf die Schaltfläche **Create self-signed certificate** (Selbstsigniertes Zertifikat erstellen).
2. Geben Sie die angeforderten Informationen ein und klicken Sie auf **OK**. Das Zertifikat wird erstellt, und das Kennwort kann jetzt sicher festgelegt werden. Der gesamte Datenverkehr der AXIS Q6032-E wird ab diesem Zeitpunkt verschlüsselt.
3. Geben Sie ein Kennwort ein, und wiederholen Sie die Eingabe, um die korrekte Schreibweise zu bestätigen. Klicken Sie auf **OK**. Damit ist das Kennwort konfiguriert.
4. Geben Sie den Benutzernamen „root“ wie erforderlich ein.  
Hinweis: Der standardmäßige Administrator-Benutzername „root“ kann nicht gelöscht werden.
5. Geben Sie das zuvor festgelegte Kennwort ein und klicken Sie auf „OK“.

Um eine HTTPS-Verbindung herzustellen, klicken Sie zunächst auf diese Schaltfläche.

Um das Kennwort direkt über eine unverschlüsselte Verbindung zu konfigurieren, geben Sie es hier ein.

## Zugriff auf den Videostrom

Die Seite „Live-View“ (Live-Ansicht) der AXIS Q6032-E wird angezeigt. Sie enthält Links zu Setup-Tools, mit denen Sie die Kamera Ihren Bedürfnissen entsprechend anpassen können.

Klicken Sie auf **Yes** (Ja), um AMC (AXIS Media Control) zu installieren. Nach Abschluss der Installation können Sie Videoströme in Microsoft Internet Explorer anzeigen. Hierzu müssen Sie über Administratorrechte für den Computer verfügen.

### Hinweis:

Für die Installation von AMC unter Windows Vista müssen Sie Internet Explorer als Administrator ausführen. Klicken Sie mit der rechten Maustaste auf das Internet Explorer-Symbol und wählen Sie **Als Administrator ausführen**.

Setup: Alle zur benutzerspezifischen Konfiguration der Kamera notwendigen Werkzeuge.

Hilfe: Zum Aufrufen der Online-Hilfe für die Kamera.



### Hinweise:

- Das Protokoll HTTPS (Hypertext Transfer Protocol over Secure Socket Layer) wird verwendet, um den Datenverkehr zwischen Webbrowsern und Servern zu verschlüsseln. Das HTTPS-Zertifikat steuert den verschlüsselten Informationsaustausch.
- Der standardmäßige Administrator-Benutzer **root** kann nicht gelöscht werden.
- Wenn Sie das Kennwort für **root** vergessen haben, muss die AXIS Q6032-E auf die Werkseinstellungen zurückgesetzt werden. Siehe *Wiederherstellen der werkseitigen Standardeinstellungen*, auf Seite 39.

## Andere Methoden zum Festlegen der IP-Adresse

Diese Tabelle bietet einen Überblick über weitere Methoden, die IP-Adresse festzulegen bzw. zu ermitteln. Alle Methoden sind standardmäßig aktiviert und können deaktiviert werden.

	Verwendung im Betriebssystem	Hinweise
UPnP™	Windows (ME oder XP)	Wenn die Funktion auf dem Computer aktiviert ist, wird die Kamera automatisch erkannt und zu „Netzwerkumgebung“ hinzugefügt.
Bonjour	MAC OSX (10.4 oder höher)	Kann nur bei Browsern verwendet werden, die Bonjour unterstützen. Navigieren Sie zum Bonjour-Lesezeichen Ihres Browsers (z. B. Safari) und klicken Sie auf den Link, um auf die Webseiten der Kamera zu gelangen.
AXIS Dynamic DNS Service	Alle	Ein kostenloser Service von Axis, mit dem Sie Ihre Kamera schnell und einfach installieren können. Eine Internetverbindung ohne HTTP-Proxyserver ist Voraussetzung. Weitere Informationen hierzu finden Sie auf <a href="http://www.axiscam.net">www.axiscam.net</a> .
ARP/Ping	Alle	Siehe unten. Der Befehl muss innerhalb von 2 Minuten erfolgen, nachdem die Kamera an das Stromnetz angeschlossen wurde.
Admin-Seiten des DHCP-Servers anzeigen	Alle	Hinweise zum Anzeigen der Administrationsseiten des DHCP-Servers im Netzwerk finden Sie in der Serverdokumentation.

### IP-Adresse per ARP/Ping zuweisen

1. Wählen Sie eine IP-Adresse aus dem Netzwerksegment, in dem sich auch Ihr Computer befindet.
2. Suchen Sie die Seriennummer (S/N) auf dem Produktaufkleber an der Kamera.
3. Öffnen Sie auf Ihrem Computer die Eingabeaufforderung, und geben Sie die folgenden Befehle ein:

<b>Windows-Syntax:</b>	Beispiel für Windows:
arp -s <IP-Adresse> <Seriennummer> ping -l 408 -t <IP-Adresse>	arp -s 192.168.0.125 00-40-8c-18-10-00 ping -l 408 -t 192.168.0.125
<b>Syntax unter UNIX/Linux/Mac:</b>	Beispiel für UNIX/Linux/Mac:
arp -s <IP-Adresse> <Seriennummer> temp ping -s 408 <IP-Adresse>	arp -s 192.168.0.125 00:40:8c:18:10:00 temp ping -s 408 192.168.0.125

4. Stellen Sie sicher, dass das Netzkabel mit der Kamera verbunden ist und starten Sie die Kamera bzw. starten Sie diese neu, indem Sie die Stromversorgung unterbrechen und wiederherstellen.
5. Schließen Sie die Befehlszeile, sobald „Reply from 192.168.0.125:“ ...' oder eine ähnliche Meldung erscheint.

6. Starten Sie einen Browser, geben Sie im Adressfeld „http://<IP-Adresse>“ ein und drücken Sie die Eingabetaste auf der Tastatur.

#### Hinweise:

- So öffnen Sie die Eingabeaufforderung unter Windows: Wählen Sie im Startmenü die Option „Ausführen...“ und geben Sie „cmd“ ein. Klicken Sie auf „OK“.
- Klicken Sie zum Eingeben des Befehls „ARP“ unter Windows Vista mit der rechten Maustaste auf das Befehlszeilensymbol und wählen Sie „Als Administrator ausführen“.
- Verwenden Sie zum Eingeben des Befehls „ARP“ unter Mac OS X das Dienstprogramm „Terminal“, das Sie unter „Anwendung > Dienstprogramme“ finden.

## Elektrische Daten

Gerät	Funktion	Beschreibung
<b>AXIS Q6032-E</b>	Power over Ethernet	50-57 V Gleichstrom, max. 1,2 A, Klasse 4

Gerät	Funktion	Beschreibung
<b>AXIS T8124</b>	Eingangsspannung	100-240 V Wechselstrom (50-60 Hz)
	Eingangsstrom	1,2 A (max.)
	Verfügbare Ausgangsleistung	60 W (max.)
	Ausgangsnennspannung	54-57 V Gleichstrom

## Wiederherstellen der werkseitigen Standardeinstellungen

Gehen Sie wie folgt vor, um sämtliche Parameter einschließlich der IP-Adresse auf die werkseitigen Standardeinstellungen zurückzusetzen:

1. Entfernen Sie die Kuppelabdeckung von der Kameraeinheit. Dadurch wird automatisch die Stromversorgung der Kamera unterbrochen.
2. Halten Sie die Steuertaste und die Netztaaste gedrückt (siehe Abbildung auf Seite 28).
3. Halten Sie beide Tasten gedrückt, bis die Statusanzeige-LED gelb blinkt (dies kann bis zu 15 Sekunden dauern).
4. Lassen Sie die Steuertaste los. Wenn die Statusanzeige-LED grün leuchtet (dies kann bis zu einer Minute dauern), wurde die Kamera auf die werkseitigen Standardeinstellungen zurückgesetzt.

### Hinweis:

Die Statusanzeige-LED leuchtet nur 10 Sekunden lang grün. Danach leuchtet sie nicht mehr. Weitere Informationen finden Sie in der Status-LED-Tabelle auf Seite 31.

5. Lassen Sie die Netztaaste los und tauschen Sie die Kuppelabdeckung aus. Dadurch wird die Stromversorgung der Kamera automatisch wieder hergestellt.
6. Legen Sie die IP-Adresse erneut fest. Wenden Sie dabei eines der in diesem Handbuch beschriebenen Verfahren an.

Die Parameter können auch über die Weboberfläche auf die werkseitigen Einstellungen zurückgesetzt werden. Weitere Informationen dazu finden Sie in der Online-Hilfe und im Benutzerhandbuch.

## Über das Internet auf die Kamera zugreifen

Nach der Installation können Sie über Ihr lokales Netzwerk (LAN) auf die AXIS Q6032-E zugreifen. Um auch über das Internet auf die Kamera zugreifen zu können, müssen Sie die Netzwerk-Router so konfigurieren, dass diese den entsprechenden eingehenden Datenverkehr zulassen, was üblicherweise durch Zuweisung eines bestimmten Ports geschieht.

- HTTP-Port (standardmäßig Port 80) für die Anzeige und Konfiguration
- RTSP-Port (standardmäßig Port 554) für die Anzeige von H.264-Videostreamen

Ausführliche Informationen dazu finden Sie in der Dokumentation des Routers. Weitere Informationen zu diesem und zu anderen Themen erhalten Sie auf der Axis Support-Website unter [www.axis.com/techsup](http://www.axis.com/techsup).

## Weitere Informationen

Das Benutzerhandbuch ist auf der Axis Website unter <http://www.axis.com> erhältlich und befindet sich auch auf der mitgelieferten CD für Axis-Netzwerkvideoprodukte.

**Tipp!**

Unter [www.axis.com/techsup](http://www.axis.com/techsup) finden Sie Firmware-Aktualisierungen für Ihre AXIS Q6032-E. Informationen zur aktuellen Firmware-Version finden Sie unter Setup > About.



# Guida all'installazione della videocamera AXIS Q6032-E

Questo documento fornisce le istruzioni necessarie per installare la videocamera di rete AXIS Q6032-E nella rete in uso. Per ulteriori informazioni sull'utilizzo del prodotto, consultare la Guida per l'utente disponibile sul CD incluso nella confezione oppure visitare il sito web all'indirizzo [www.axis.com/techsup](http://www.axis.com/techsup).

## Procedura di installazione

1. Controllare il contenuto della confezione utilizzando l'elenco fornito di seguito.
2. Panoramica dell'hardware. Vedere a pagina 42.
3. Installazione dell'hardware. Vedere a pagina 43.
4. Impostazione di un indirizzo IP. Vedere a pagina 46.
5. Impostazione della password. Per ulteriori informazioni, vedere la sezione pagina 49.

### Importante!

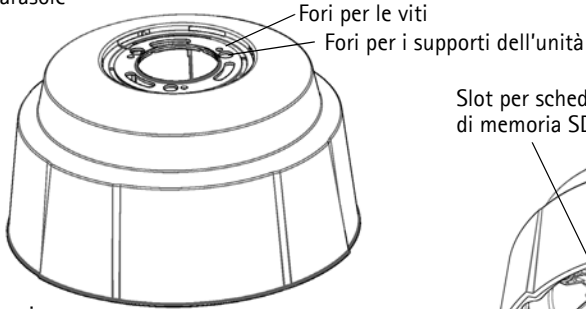
Il prodotto deve essere utilizzato in conformità alle leggi e alle disposizioni locali.

## 1 Contenuto della confezione

Articolo	Modelli/varianti/note
Videocamera di rete	AXIS Q6032-E 50 Hz/60 Hz
Coperture a cupola	<ul style="list-style-type: none"> <li>• Copertura trasparente</li> <li>• Copertura fumé</li> </ul>
Midspan High PoE	AXIS T8124 con cavo di alimentazione (specifico per il paese)
Connettore RJ45	Connettore di rete di classe IP66
Parasole	Copertura di protezione in plastica con viti
Etichette	2 etichette adesive con numero di serie
CD	CD di AXIS Network Video Product, comprensivo della documentazione del prodotto, utensili di installazione e altro software
Documentazione cartacea	Guida all'installazione della videocamera AXIS Q6032-E (questo documento) Certificato di garanzia Axis
Accessori opzionali	Visitare il sito web <a href="http://www.axis.com">www.axis.com</a> per informazioni sulle staffe di montaggio disponibili

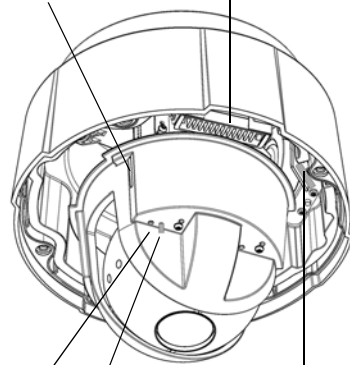
## 2 Panoramica dell'hardware

Parasole

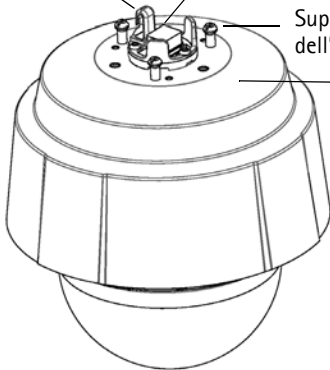


Riscaldatore  
Attenzione!  
(può essere caldo)

Slot per scheda  
di memoria SD



Gancio per  
cavo di sicurezza  
connettore di rete (PoE)  
Supporti  
dell'unità (3)

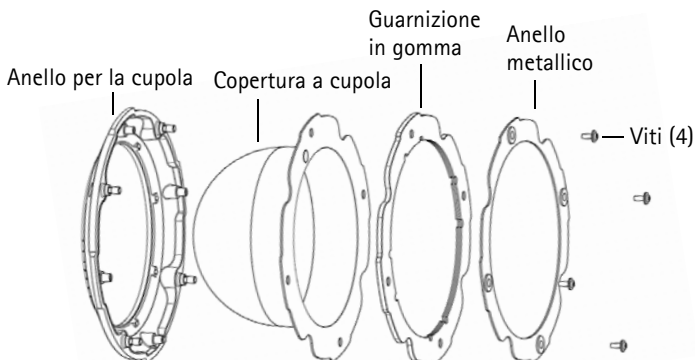


Pulsante di  
comando  
LED di stato

Pulsante di alimentazione  
(solo per le impostazioni  
predefinite)

Videocamera a cupola

Codice prodotto (P/N) e numero di serie (S/N)  
Il numero di serie potrebbe essere  
necessario al momento dell'installazione.



## 3 Installazione dell'hardware

### Operazioni preliminari all'installazione

La videocamera AXIS Q6032-E viene fornita con un parasole e una copertura a cupola fumé opzionali. Se necessario, attenersi alle seguenti istruzioni per fissare il parasole e montare la copertura a cupola.

### Fissaggio del parasole (opzionale)

1. Far scorrere il parasole sui supporti dell'unità sulla cupola della videocamera.
2. Fissare il parasole in posizione utilizzando le viti fornite (Torx T20).

### Montaggio della copertura a cupola trasparente/oscurata (opzionale)

1. Rimuovere le 4 viti (vedere la figura a pagina 42).
2. Rimuovere l'anello in metallo e l'anello per la cupola dalla copertura a cupola in plastica.
3. Rimuovere la guarnizione in gomma dalla copertura a cupola e fissarla alla copertura a cupola scelta. Fare attenzione a fissare bene la guarnizione alla copertura a cupola.
4. Installare l'anello in metallo e l'anello per la cupola e fissarli in posizione serrando le 4 viti fino all'arresto.

#### Nota:

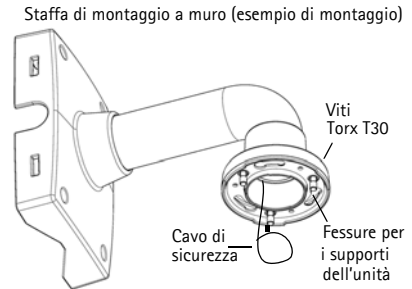
Fare attenzione a non graffiare o danneggiare la copertura a cupola. Usare un panno morbido per pulire la copertura a cupola prima di montarla sulla videocamera.

## Installazione della videocamera AXIS Q6032-E

### Importante!

Usare il connettore RJ45 o RJ45 di classe IP66 compatibile per mantenere inalterate le caratteristiche di resistenza di classe IP66 della videocamera.

1. Installare gli accessori di montaggio selezionati in conformità con le istruzioni e rimuovere il cappuccio di protezione che copre il connettore di rete sulla videocamera.
2. Installare il cavo di rete e montare il connettore RJ45 fornito. Fare riferimento alle istruzioni fornite con il connettore per le informazioni su cablaggio e montaggio.
3. Fissare la **videocamera a cupola** al **cavo di sicurezza** sulla **staffa**.
4. Collegare il cavo di rete e il connettore RJ45 al connettore di rete sulla **Videocamera a cupola**.
5. Inserire i **supporti dell'unità** nelle fessure sulla **staffa** e ruotare la videocamera.
6. Fissare la **videocamera a cupola** alla **staffa di montaggio** serrando le 3 viti (Torx T30).



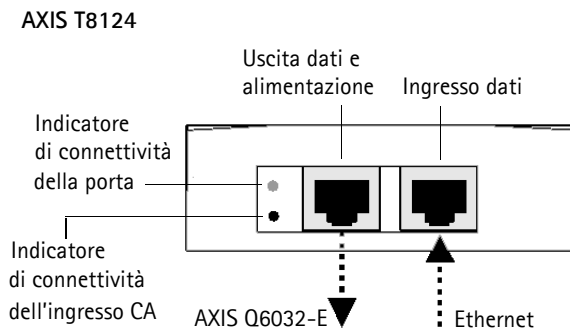
## Installazione del midspan AXIS T8124

Il midspan Axis High PoE consente di alimentare e trasmettere dati ai prodotti con tecnologia video di rete di Axis che consumano molta potenza utilizzando un unico cavo di rete Ethernet. Attenersi alla seguente procedura per collegare AXIS T8124 e AXIS Q6032-E.

### Nota:

Si osservi che Axis garantisce un funzionamento corretto solo se si utilizza il midspan AXIS T8124 e non supporta altri dispositivi High PoE.

1. Collegare il midspan AXIS T8124 (ingresso dati) allo switch di rete utilizzando un cavo di rete standard.
2. Collegare il midspan AXIS T8124 (uscita dati e alimentazione) alla videocamera AXIS Q6032-E utilizzando il cavo di rete già connesso alla videocamera (vedere la sezione successiva).
3. Collegare il midspan AXIS T8124 a una presa CA (100-240 VCA) utilizzando il cavo di alimentazione fornito.



### Indicatori del midspan AXIS T8124

Indicatore LED	Colore	Indicazione
Porta	Spento	Nessuna videocamera connessa
	Giallo	Alimentazione insufficiente per la videocamera e il riscaldatore. Ispezionare il cavo
	Lampeggiante	Sovraccarico elettrico
	Verde	Videocamera connessa, condizione normale
Ingresso CA	Verde fisso	Connessione all'alimentazione CA attiva

### AXIS Q6032-E LED di stato



Colore	Indicazione
Spento	Connessione stabile/funzionamento normale
Giallo	Rimane acceso durante l'inizializzazione del sistema. Lampeggia durante l'aggiornamento del firmware o il ripristino delle impostazioni predefinite.
Ambra/ rosso	Connessione di rete non disponibile
Rosso	Errore durante l'aggiornamento del firmware
Verde	Fisso per 10 secondi dopo un riavvio senza errori

## 4 Assegnazione di un indirizzo IP

La maggior parte delle reti dispone di un server DHCP che assegna automaticamente gli indirizzi IP alle periferiche connesse. Se la rete non dispone di un server DHCP, per la videocamera AXIS Q6032-E viene utilizzato l'indirizzo IP predefinito 192.168.0.90.

Per assegnare un indirizzo IP statico, utilizzare **AXIS IP Utility** o **AXIS Camera Management** in ambiente Windows. In base al numero di videocamere da installare, utilizzare il metodo che meglio si adatta alle proprie esigenze.

Entrambe le applicazioni sono disponibili gratuitamente sul CD del prodotto oppure possono essere scaricate dal sito web all'indirizzo [www.axis.com/techsup](http://www.axis.com/techsup).

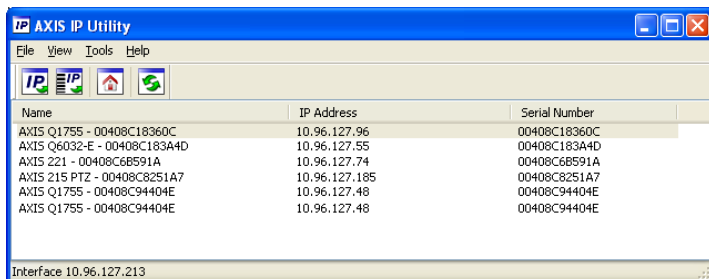
Metodo	Consigliato per	Sistema operativo
 AXIS IP Utility (versione 2) Vedere a pagina 47	Videocamera singola Piccole installazioni	Windows Vista Windows Server 2003 Windows XP Windows 2000 Windows NT 4.0
 AXIS Camera Management Vedere a pagina 48	Più videocamere Grandi installazioni Installazione in una diversa subnet	Windows Vista Windows Server 2003 Windows XP Pro Windows 2000

### Note:

- Se l'assegnazione dell'indirizzo IP non è riuscita correttamente, verificare che non ci siano firewall che blocchino l'operazione.
- Per altri metodi di assegnazione o di rilevazione dell'indirizzo IP per il codificatore video AXIS Q6032-E, ad esempio in altri sistemi operativi, vedere a pagina 51.

## AXIS IP Utility: videocamera singola/piccole installazioni

AXIS IP Utility rileva e visualizza automaticamente le periferiche Axis collegate alla rete. L'applicazione inoltre può essere utilizzata per assegnare manualmente un indirizzo IP statico.




Si tenga presente che la periferica AXIS Q6032-E deve essere installata sullo stesso segmento di rete (subnet fisica) del computer sul quale è in esecuzione AXIS IP Utility.

### Rilevamento automatico

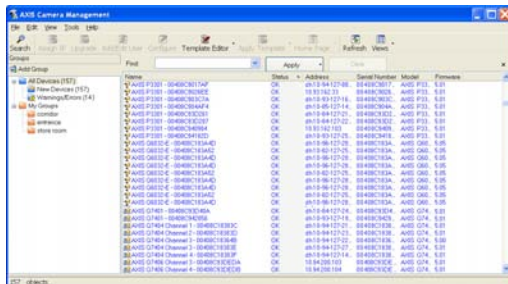
1. Verificare che la videocamera sia collegata alla rete e alimentata correttamente.
2. Avviare AXIS IP Utility.
3. Appena viene visualizzata la videocamera, selezionarla con un doppio clic per aprire la home page.
4. Vedere a pagina 49 per le istruzioni sull'assegnazione della password.

### Assegnazione manuale dell'indirizzo IP (opzionale)

1. Acquisire un indirizzo IP non utilizzato sullo stesso segmento di rete del computer.
2. Selezionare AXIS Q6032-E dall'elenco.
3. Fare clic sul pulsante  Assign new IP address to the selected device (Assegna un nuovo indirizzo IP alla periferica selezionata) e immettere l'indirizzo IP.
4. Fare clic sul pulsante **Assign** (Assegna) e seguire le istruzioni visualizzate. Si tenga presente che la videocamera deve essere riavviata entro due minuti per impostare il nuovo indirizzo IP.
5. Fare clic sul pulsante **Home Page** (Pagina home) per accedere alle pagine web della videocamera.
6. Vedere a pagina 49 per le istruzioni sull'impostazione della password.

## AXIS Camera Management: più videocamere/grandi installazioni


È possibile utilizzare AXIS Camera Management per individuare automaticamente la presenza di più periferiche Axis, visualizzare lo stato di connessione, gestire gli aggiornamenti del firmware e impostare gli indirizzi IP.



### Rilevamento automatico

1. Verificare che la videocamera sia collegata alla rete e alimentata correttamente.
2. Avviare AXIS Camera Management. Appena viene visualizzata la videocamera AXIS Q6032-E fare clic con il pulsante destro sul collegamento e selezionare **Live View Home Page** (Immagini dal vivo).
3. Vedere la pagina 49 per istruzioni su come impostare la password.


### Assegnazione di un indirizzo IP a un singolo dispositivo

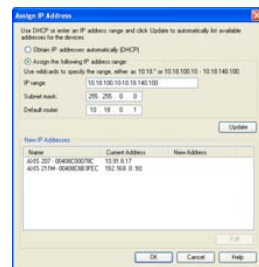
1. Selezionare AXIS Q6032-E in AXIS Camera Management e fare clic sul pulsante **Assign IP** (Assegna IP) .
2. Selezionare **Assign the following IP address** (Assegna il seguente indirizzo IP) e immettere l'indirizzo IP, la subnet mask e il router predefinito utilizzati dalla periferica.
3. Fare clic sul pulsante **OK**.



### Assegnazione degli indirizzi IP a più videocamere

AXIS Camera Management facilita il processo di assegnazione degli indirizzi IP di più periferiche, suggerendo gli indirizzi IP in base a un intervallo specifico.

1. Selezionare le periferiche da configurare (è possibile selezionare più modelli) e fare clic sul pulsante **Assign IP** (Assegna IP) .
2. Selezionare **Assign the following IP address range** (Assegna il seguente intervallo di indirizzi IP) e immettere l'intervallo di indirizzi IP, la subnet mask e il router predefinito utilizzati dalla periferica.
3. Fare clic sul pulsante **OK**.





## 5 Impostazione della password

Per ottenere l'accesso al prodotto, è necessario impostare la password dell'utente amministratore predefinito root. Questa operazione può essere effettuata nella finestra di dialogo 'Configure Root Password' (Configura password root), che viene visualizzata quando si accede alla videocamera AXIS Q6032-E per la prima volta.

Per evitare l'interruzione della connessione di rete durante l'impostazione della password root, è possibile eseguire questa operazione tramite la connessione crittografata HTTPS, che richiede un certificato HTTPS (vedere la nota seguente).

Per impostare la password tramite una connessione HTTP standard, inserirla direttamente nella prima finestra di dialogo mostrata di seguito.

Per impostare la password tramite una connessione HTTPS crittografata, attenersi alla seguente procedura:

1. Fare clic sul pulsante **Create self-signed certificate** (Crea certificato autofirmato).
2. Fornire le informazioni richieste e fare clic su **OK**. Il certificato viene creato e la password può essere ora impostata in modo sicuro. Da questo momento in poi tutto il traffico verso e dalla videocamera AXIS Q6032-E viene cifrato.
3. Inserire una password e quindi reinserirla per confermarla. Fare clic su **OK**. La password è stata ora configurata.
4. Per eseguire l'accesso, inserire il nome utente "root" nella finestra di dialogo appena il programma lo richiede.  
Nota: non è possibile eliminare il nome utente predefinito dell'amministratore.
5. Inserire la password impostata in precedenza e fare clic su **OK**.

Per creare una connessione HTTPS, iniziare facendo clic su questo pulsante.

Per configurare la password direttamente tramite una connessione non crittografata, inserire la password qui.

## Accesso al flusso video

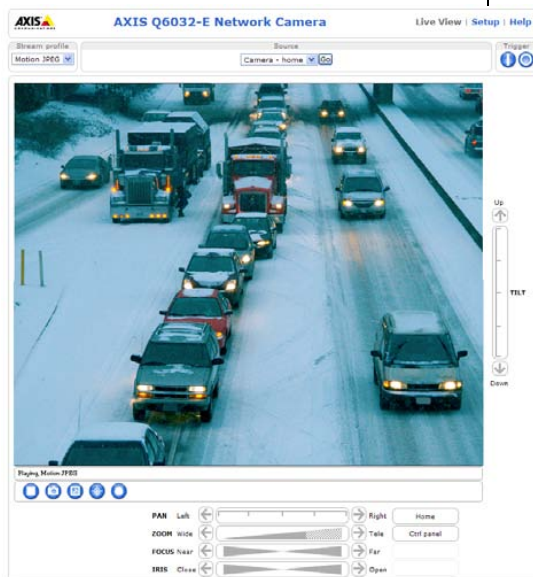
Viene visualizzata la pagina Live View di AXIS Q6032-E con i collegamenti agli strumenti di configurazione che consentono di personalizzare la videocamera.

Se necessario, fare clic su **Yes (Sì)** per installare AMC (Axis Media Control) che consente di visualizzare il flusso video in Microsoft Internet Explorer. A questo scopo è necessario disporre dei privilegi di amministratore.

### Nota:

Per installare AMC in Windows Vista, è necessario eseguire Internet Explorer come amministratore. Fare clic con il pulsante destro del mouse sull'icona di Internet Explorer e selezionare **Run as administrator (Esegui come amministratore)**.

**Setup (Configurazione):** fornisce tutti gli strumenti necessari per configurare la videocamera.



**Help (Guida):** visualizza la Guida in linea relativa alla modalità di utilizzo della videocamera.

### Nota:

- HTTPS (Hypertext Transfer Protocol over Secure Socket Layer) è un protocollo utilizzato per crittografare il traffico tra i browser e i server web. Il certificato HTTPS controlla lo scambio crittografato di informazioni.
- Non è possibile eliminare la password **root** dell'utente amministratore predefinito.
- Se si smarrisce o si dimentica la password **root**, la videocamera AXIS Q6032-E deve essere reimpostata sulle impostazioni predefinite. Vedere la sezione *Ripristino delle impostazioni predefinite*, a pagina 53.

## Altri metodi di impostazione dell'indirizzo IP

La seguente tabella descrive gli altri metodi disponibili per impostare o individuare l'indirizzo IP. Per impostazione predefinita, tutti i metodi sono disponibili e possono essere disabilitati.

	Utilizzo nel sistema operativo	Note
UPnP™	Windows (ME o XP)	Se abilitata sul computer, la videocamera viene rilevata automaticamente e aggiunta a "Risorse di rete".
Bonjour	MAC OSX (versione 10.4 o successive)	Si applica a browser con supporto Bonjour. Selezionare il segnalibro Bonjour nel browser (ad esempio Safari) e fare clic sul collegamento per accedere alle pagine web della videocamera.
AXIS Dynamic DNS Service	Tutti i sistemi operativi	Servizio gratuito fornito da Axis che consente di installare la videocamera in modo facile e veloce. È necessaria una connessione a Internet senza proxy http. Per ulteriori informazioni, visitare il sito web all'indirizzo <a href="http://www.axiscam.net">www.axiscam.net</a> .
ARP/Ping	Tutti i sistemi operativi	Vedere le sezioni che seguono. È necessario eseguire il comando entro 2 minuti dal collegamento dell'alimentazione alla videocamera.
Visualizzazione delle pagine di amministrazione del server DHCP	Tutti i sistemi operativi	Per visualizzare le pagine di amministrazione del server DHCP di rete, vedere la documentazione specifica del server.

### Impostazione dell'indirizzo IP con ARP/Ping

1. Acquisire un indirizzo IP sullo stesso segmento di rete cui è connesso il computer in uso.
2. Individuare il numero di serie indicato sull'etichetta della videocamera.
3. Aprire una finestra MS-DOS sul computer e digitare i seguenti comandi:

<b>Sintassi di Windows:</b>	Esempio di Windows
<code>arp -s &lt;Indirizzo IP&gt; &lt;Numero di serie&gt; ping -l 408 -t &lt;Indirizzo IP&gt;</code>	<code>arp -s 192.168.0.125 00-40-8c-18-10-00 ping -l 408 -t 192.168.0.125</code>
<b>Sintassi di UNIX/Linux/Mac:</b>	Esempio di UNIX/Linux/Mac
<code>arp -s &lt;Indirizzo IP&gt; &lt;Numero di serie&gt; temp ping -s 408 &lt;Indirizzo IP&gt;</code>	<code>arp -s 192.168.0.125 00:40:8c:18:10:00 temp ping -s 408 192.168.0.125</code>

4. Verificare che il cavo di rete sia collegato alla videocamera, quindi avviare/riavviare la videocamera, scollegando e ricollegando l'alimentazione.
5. Chiudere la finestra MS-DOS appena viene visualizzato il messaggio "Reply from 192.168.0.125: ..." (Risposta da 192.168.0.125) o altro messaggio simile.
6. Nel browser immettere `http://<indirizzo IP>` nel campo dell'indirizzo e premere Invio sulla tastiera.

**Note:**

- Per aprire una finestra MS-DOS in Windows: dal menu Start, scegliere Esegui... e digitare cmd. Fare clic su OK.
- Per usare il comando ARP in Windows Vista, fare clic con il pulsante destro del mouse sull'icona della finestra MS-DOS e selezionare Esegui come amministratore.
- Per utilizzare il comando ARP in un sistema operativo Mac OS X, usare l'utility Terminal, in Applicazioni > Utilità.

**Specifiche elettriche**

Unità	Funzione	Descrizione
<b>AXIS Q6032-E</b>	Power over Ethernet	50-57 VCC, max 1,2A, classe 4

Unità	Funzione	Descrizione
<b>AXIS T8124</b>	Tensione in ingresso	100-240 VCA (50-60 Hz)
	Corrente in ingresso	1,2 A (max)
	Potenza in uscita disponibile	60 W (max)
	Tensione nominale in uscita	54-57 VCC

## Ripristino delle impostazioni predefinite

Questa procedura consente di ripristinare le impostazioni predefinite per tutti i parametri, incluso l'indirizzo IP.

1. Rimuovere la copertura a cupola dalla videocamera per scollegarla automaticamente dall'alimentazione elettrica.
2. Tenere premuti i pulsanti di comando e alimentazione, come mostra la figura a pagina 42.
3. Tenere premuti entrambi i pulsanti fino a quando l'indicatore di stato lampeggia in giallo (l'operazione può richiedere fino a 15 secondi).
4. Rilasciare il pulsante di comando. Quando l'indicatore di stato diventa verde (l'operazione può richiedere fino a 1 minuto) la procedura è completata e sono state ripristinate le impostazioni di fabbrica per la videocamera.

### Nota:

L'indicatore di stato si accende in verde solo per 10 secondi e successivamente si spegne. Per ulteriori informazioni, vedere la tabella degli indicatori a pagina 45.

5. Rilasciare il pulsante di alimentazione e rimontare la copertura a cupola per ricollegare automaticamente la videocamera all'alimentazione.
6. Riassegnare l'indirizzo IP utilizzando uno dei metodi descritti in questo documento.

È possibile inoltre ripristinare le impostazioni predefinite mediante l'interfaccia web. Per ulteriori informazioni, consultare la Guida in linea o la Guida per l'utente.

## Accesso alla videocamera da Internet

Dopo l'installazione, la videocamera AXIS Q6032-E è accessibile nella rete locale (LAN). Per accedere alla videocamera da Internet, è necessario configurare i router di rete per consentire il traffico in entrata, che di norma avviene su una porta specifica.

- Porta HTTP (porta predefinita 80) per la visualizzazione e la configurazione
- Porta RTSP (porta predefinita 554) per la visualizzazione di flussi video in formato H.264

Per ulteriori istruzioni, consultare la documentazione del router. Per maggiori informazioni su questo e altri argomenti, visitare il sito web per il supporto Axis all'indirizzo [www.axis.com/techsup](http://www.axis.com/techsup).

## Ulteriori informazioni

La Guida per l'utente è disponibile sul sito web di Axis all'indirizzo [www.axis.com](http://www.axis.com) oppure sul CD fornito con il prodotto.

### Suggerimento

Visitare il sito di Axis all'indirizzo [www.axis.com/techsup](http://www.axis.com/techsup) per verificare se sono stati pubblicati aggiornamenti del firmware per la videocamera AXIS Q6032-E. Per conoscere la versione installata del firmware, vedere >About (Informazioni su) nella pagina Setup (Configurazione).

# AXIS Q6032-E Guía de instalación

Esta guía de instalación incluye las instrucciones necesarias para instalar la Cámara de red AXIS Q6032-E en su red. Para obtener información sobre cualquier cuestión relacionada con el uso del producto, consulte el Manual del usuario, disponible en el CD que se incluye en este paquete, o la página [www.axis.com/techsup](http://www.axis.com/techsup).

## Pasos para la instalación

1. Verifique el contenido del paquete con la lista que aparece más abajo.
2. Presentación del hardware. Consulte la página 56.
3. Instale el hardware. Consulte la página 57.
4. Asignación de una dirección IP. Consulte la página 60.
5. Configuración de la contraseña. Véase la página 63.

### ¡Importante!

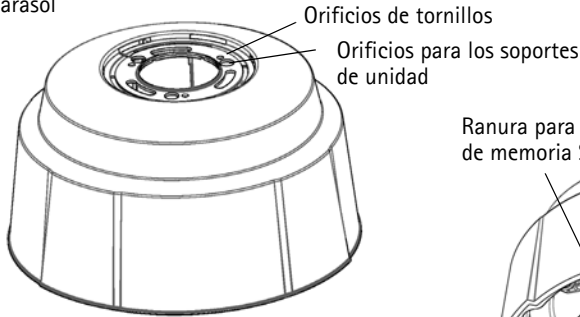
Este producto debe utilizarse de conformidad con la legislación y normativas locales.

## 1 Contenido del paquete

Artículo	Modelos/variantes/notas
Cámara de red	AXIS Q6032-E 50Hz/60Hz
Cubiertas de domo	<ul style="list-style-type: none"> <li>• Cubierta transparente clara</li> <li>• Cubierta transparente ahumada</li> </ul>
Midspan High PoE	AXIS T8124 incluido el cable de alimentación (especifico del país)
Conector RJ45	Conector de red con clasificación de protección IP66
Parasol	Cubierta de plástico protectora (incluye tornillos)
Etiquetas	2 etiquetas adhesivas con número de serie
CD	CD de los productos de vídeo en red de AXIS, incluida la documentación del producto, herramientas de instalación y otro software
Material impreso	Guía de instalación de AXIS Q6032-E (este documento) Documento de garantía de Axis
Accesorios opcionales	Visite <a href="http://www.axis.com">www.axis.com</a> para obtener información sobre las escuadras de montaje disponibles

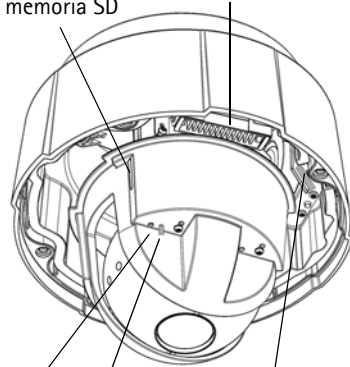
## 2 Presentación del hardware

Parasol



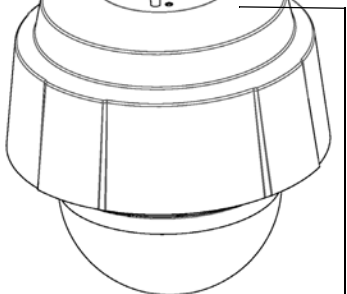
Calefactor ¡Precaución! puede estar caliente

Ranura para tarjeta de memoria SD



Enganche para cable de seguridad

Conector de red (PoE)  
Soportes de unidad (3)



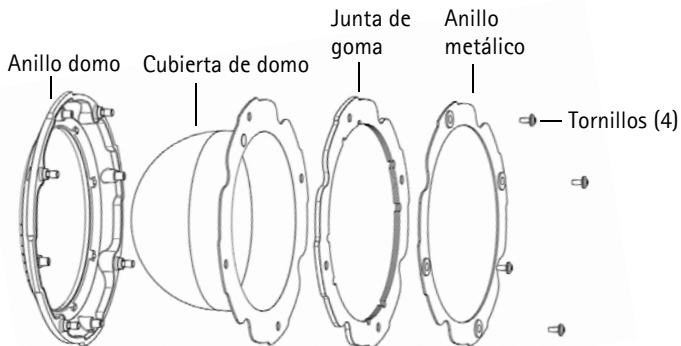
LED indicador de estado

Botón de control

Botón de encendido (para valores predeterminados de fábrica únicamente)

Cámara domo

Referencia (P/N) y número de serie (S/N). Es posible que necesite el número de serie durante la instalación.





## 3 Instalación del hardware

### Antes de la instalación

AXIS Q6032-E se suministra con un parasol opcional y una cubierta de domo transparente ahumada. Si fuera necesario, siga estas instrucciones a fin de enganchar el parasol y sustituir la cubierta de domo.

### Enganche el parasol (opcional)

1. Deslice el parasol por los soportes de la unidad de la cámara domo.
2. Fije el parasol con los tornillos facilitados (Torx T20).

### Sustituya la cubierta de domo ahumada/clara (opcional)

1. Extraiga los 4 tornillos (consulte la ilustración en la página 56).
2. Extraiga el anillo metálico y el anillo domo de la cubierta de domo de plástico.
3. Extraiga la junta de goma de la cubierta de domo y únala a la cubierta de domo de su elección. Asegúrese de unir bien la junta y de que se ajuste a la perfección a la cubierta.
4. Enganche el anillo metálico y el anillo domo y fíjelos apretando los 4 tornillos hasta su giro máximo.

#### Nota:

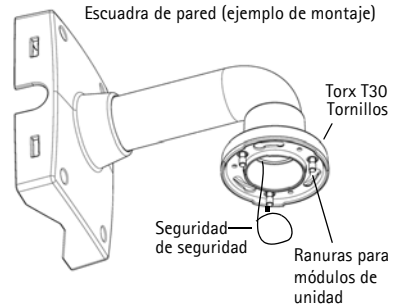
Tenga cuidado de no arañar ni dañar la cubierta. Utilice un paño suave para limpiar antes de unir la cubierta a la unidad de la cámara.

## Instalación de la AXIS Q6032-E

### ¡Importante!

Se debe usar el conector RJ45 o el conector compatible RJ45 con clasificación IP66 para la compatibilidad con el diseño con clasificación IP66 de la cámara.

1. Instale los accesorios de montaje seleccionados según las instrucciones y extraiga la tapa de protección del conector de red de la cámara.
2. Extienda el cable de red y enchúfelo al conector RJ45 suministrado. Consulte las instrucciones incluidas con el conector para obtener más información sobre el cableado y el montaje.
3. Enganche la **unidad de cámara domo** con el **cable de seguridad** en la **escuadra**.
4. Conecte el cable de red y el conector RJ45 al conector de red en la **unidad de cámara domo**.
5. Deslice los **módulos de unidad** de la cámara en las ranuras de la **escuadra** y gire la unidad de cámara.
6. Fije la **unidad de cámara domo** con la **escuadra de montaje** apretando los 3 tornillos (Torx T30).



## Instalación del midspan AXIS T8124

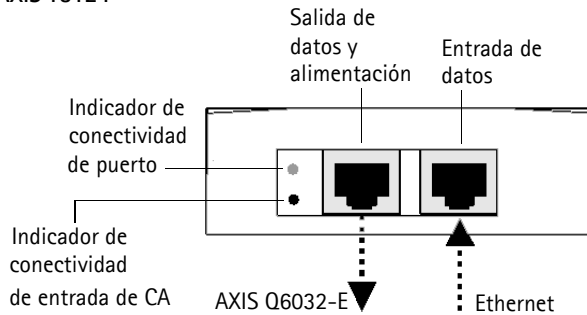
Los midspan High PoE de Axis permiten que los productos de vídeo en red de Axis con un consumo eléctrico elevado reciban datos y alimentación por el mismo cable Ethernet. Siga estas instrucciones para conectar la AXIS T8124 y AXIS Q6032-E.

### Nota:

Tenga en cuenta que Axis sólo puede garantizar completa funcionalidad con la AXIS T8124; no se admiten otros dispositivos High PoE.

1. Conecte la cámara AXIS T8124 (entrada de datos) al switch de red mediante un cable de red estándar.
2. Conecte la AXIS T8124 (salida de alimentación y datos) con la AXIS Q6032-E, mediante el cable de red que se ha conectado a la cámara (ver arriba).
3. Conecte la AXIS T8124 a una toma de corriente CA (100-240 VCA) mediante el cable de alimentación proporcionado.

AXIS T8124



Indicadores de AXIS T8124

LED	Color	Indicación
Indicador de puerto	Apagado	No se ha conectado ninguna cámara
	Ámbar	Alimentación insuficiente para la cámara y el calefactor. Compruebe el cable
	Intermitente	Sobrecarga eléctrica
	Verde	Cámara conectada, comportamiento normal
Entrada de CA	Verde fijo	Conectado a la alimentación de CA

LED de estado de AXIS Q6032-E



Color	Indicación
Apagado	Fijo: funcionamiento o conexión normales
Ámbar	Fijo: inicio del sistema. Intermitente: actualización de firmware o restablecimiento a valores iniciales.
Ámbar/rojo	Sin conexión de red
Rojo	Fallo de actualización de firmware
Verde	Fijo durante 10 segundos después de un inicio correcto

## 4 Asignación de la dirección IP

La mayoría de redes disponen de un servidor DHCP que asigna direcciones IP a dispositivos conectados de forma automática. Si su red no dispone de un servidor DHCP, AXIS Q6032-E utilizará 192.168.0.90 como dirección IP predeterminada.

Si desea asignar una dirección IP estática, el método recomendado en Windows es **AXIS IP Utility** o **AXIS Camera Management**. En función del número de cámaras que desee instalar, deberá utilizar el método que se adapte mejor a sus necesidades.

Ambas aplicaciones son gratuitas y están disponibles en el CD del producto de vídeo en red de Axis suministrado con este producto o pueden descargarse de [www.axis.com/techsup](http://www.axis.com/techsup).

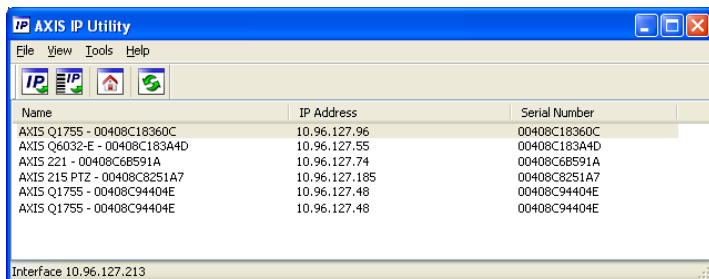
Método	Recomendado para	Sistema operativo
 AXIS IP Utility (versión 2) Consulte la página 61	Cámaras individuales Instalaciones pequeñas	Windows Vista Windows Server 2003 Windows XP Windows 2000 Windows NT 4.0
 AXIS Camera Management Consulte la página 62	Varias cámaras Instalaciones grandes Instalación en una subred diferente	Windows Vista Windows Server 2003 Windows XP Pro Windows 2000

### Notas:

- Si no puede asignar la dirección IP, compruebe que no haya ningún cortafuegos que bloquee la operación.
- Para ver otros métodos de asignar o detectar la dirección IP de AXIS Q6032-E, p. ej., en otros sistemas operativos, consulte la página 65.

## AXIS IP Utility: para cámaras individuales o instalaciones pequeñas

AXIS IP Utility detecta y muestra automáticamente los dispositivos Axis que existen en la red. Además, esta aplicación puede utilizarse para asignar manualmente una dirección IP estática.




Recuerde que el equipo que ejecute AXIS IP Utility debe instalarse en el mismo segmento de red (subred física) que la AXIS Q6032-E.

### Detección automática

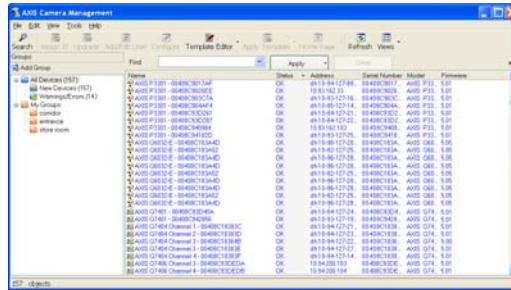
1. Compruebe que la cámara esté conectada a la red y que recibe alimentación.
2. Inicie AXIS IP Utility.
3. Cuando la cámara aparezca en la ventana, haga doble clic en ella para abrir su página de inicio.
4. Consulte la página 63 para obtener instrucciones sobre cómo asignar la contraseña.

### Asignación manual de la dirección IP (opcional)

1. Obtenga una dirección IP que no esté en uso y que se encuentre en el mismo segmento de red que su equipo.
2. Seleccione la AXIS Q6032-E de la lista.
3. Haga clic en el botón  **Asignar nueva dirección IP al dispositivo seleccionado** e introduzca la dirección IP.
4. Haga clic en el botón **Asignar** y siga las instrucciones que aparecen en la pantalla. Recuerde que la cámara debe reiniciarse en los dos minutos siguientes a la configuración de la dirección IP.
5. Haga clic en el botón **Página de inicio** para acceder a las páginas Web de la cámara.
6. Consulte la página 63 para obtener instrucciones sobre cómo configurar la contraseña.

## AXIS Camera Management: para varias cámaras e instalaciones grandes


AXIS Camera Management puede detectar automáticamente varios dispositivos Axis, mostrar el estado de la conexión, administrar las actualizaciones del firmware y configurar direcciones IP.

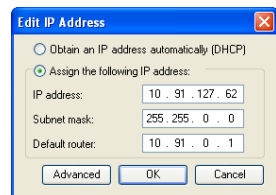


### Detección automática

1. Compruebe que la cámara esté conectada a la red y que recibe alimentación.
2. Inicie AXIS Camera Management. Cuando la AXIS Q6032-E aparezca en la ventana, haga clic con el botón derecho en el enlace y seleccione **Página inicial de Live View**.
3. Consulte la página 63 para obtener instrucciones sobre cómo configurar la contraseña.


### Asignación de una dirección IP en un dispositivo individual

1. Seleccione AXIS Q6032-E en AXIS Camera Management y haga clic en el botón **Assign IP (Asignar IP)**. 
2. Seleccione **Asignar la dirección siguiente** e introduzca la dirección IP, la máscara de subred y el router predeterminado que utilizará el dispositivo.
3. Haga clic en el botón **OK (Aceptar)**.



### Asignación de direcciones IP en varios dispositivos

AXIS Camera Management acelera el proceso de asignación de direcciones IP en varios dispositivos indicando direcciones IP disponibles dentro de un intervalo especificado.

1. Seleccione los dispositivos que desee configurar (se pueden seleccionar varios modelos) y haga clic en el botón **Assign IP (Asignar IP)**. 
2. Seleccione **Assign the following IP address range (Asignar el siguiente intervalo de direcciones IP)** e introduzca las direcciones IP, la máscara de subred y el router predeterminado que utilizará el dispositivo.
3. Haga clic en el botón **OK (Aceptar)**.



## 5 Configuración de la contraseña

Para poder acceder al producto, hay que configurar la contraseña del usuario predeterminado para el administrador root. Aparecerá el cuadro de diálogo 'Configurar contraseña de root' cuando se acceda a AXIS Q6032-E por primera vez.

Para evitar la interceptación de la contraseña de root cuando se configura, este proceso se puede realizar a través de una conexión HTTPS cifrada, que precisa un certificado HTTPS (consulte la nota más abajo).

Para configurar la contraseña a través de una conexión HTTP estándar, escribala directamente en el primer cuadro de diálogo que se muestra a continuación.

Para configurar la contraseña a través de una conexión HTTPS cifrada, siga estos pasos:

1. Haga clic en el botón **Create self-signed certificate** (Crear un certificado de autofirma).
2. Proporcione la información que se le solicita y haga clic en **OK** (Aceptar). Se creará el certificado y se podrá configurar la contraseña con seguridad. Todo el tráfico hacia y desde AXIS Q6032-E estará cifrado a partir de este momento.
3. A continuación, escriba una contraseña y vuelva a escribirla para confirmarla. Haga clic en **OK** (Aceptar). La contraseña ya se ha configurado.
4. Para iniciar sesión, escriba el nombre de usuario "root" en el cuadro de diálogo.  
Nota: El nombre de usuario predeterminado para el administrador root no se puede borrar.
5. Escriba la contraseña que introdujo anteriormente y haga clic en Aceptar.

Para crear una conexión HTTPS, empiece haciendo clic en este botón.

Para configurar directamente la contraseña a través de una conexión sin cifrar, escriba aquí la contraseña.

## Acceda al vídeo stream

La página Live View de la AXIS Q6032-E aparece con enlaces a las herramientas de configuración que le permiten personalizar la cámara.

En caso necesario, haga clic en Yes (Sí) para instalar el AMC (AXIS Media Control) y así permitir la visualización de vídeo continuo en Internet Explorer. Para ello, debe tener derechos de administrador en su ordenador.

### Nota:

Para instalar AMC en Windows Vista, debe ejecutar Internet Explorer como administrador. Haga clic con el botón derecho en el icono de Internet Explorer y seleccione **Ejecutar como administrador**.

**Setup (configuración):** proporciona todas las herramientas necesarias para configurar la cámara según sus necesidades.



**Help (ayuda):** presenta ayuda en línea sobre todos los aspectos del uso de la cámara.

### Notas:

- HTTPS (Hypertext Transfer Protocol over Secure Socket Layer) es un protocolo usado para cifrar el tráfico entre navegadores y servidores en red. El certificado HTTPS controla el intercambio cifrado de información.
- El usuario administrador **root** predeterminado no se puede borrar.
- Si ha perdido u olvidado la contraseña **root**, la AXIS Q6032-E debe restablecerse a los valores iniciales. Consulte *Restablecimiento de la configuración predeterminada de fábrica*, en la página 67.



## Otros métodos para configurar la dirección IP

Esta tabla presenta otros métodos disponibles para configurar o detectar la dirección IP. Todos los métodos están habilitados de forma predeterminada y es posible deshabilitarlos.

	Sistema operativo	Notas
UPnP™	Windows (ME o XP)	La cámara se detecta y añade a "Mis sitios de red" automáticamente, siempre que esta opción esté habilitada en el equipo.
Bonjour	MAC OSX (10.4 o posterior)	Aplicable a navegadores compatibles con Bonjour. Navegue hasta el favorito Bonjour del explorador (p. ej., Safari) y haga clic en el vínculo para acceder a las páginas Web de la cámara.
Servicio de DNS dinámico de AXIS	Todas	Servicio gratuito suministrado por Axis que permite instalar la cámara de forma rápida y sencilla. Es necesario disponer de conexión a Internet sin proxy HTTP. Para más información, consulte <a href="http://www.axiscam.net">www.axiscam.net</a> .
ARP/Ping	Todas	Véase más adelante. El comando debe emitirse en los dos minutos posteriores al encendido de la cámara.
Acceso a las páginas admin. del servidor DHCP	Todas	Para acceder a las páginas admin. del servidor DHCP en red, consulte la documentación del servidor.

## Configuración de la dirección IP con ARP/Ping

1. Adquiera una dirección IP en el mismo segmento de red en el que está conectado su equipo.
2. Localice el número de serie (S/N) en la etiqueta de producto de la cámara.
3. Abra una línea de comando en su equipo y escriba los comandos siguientes:

<b>Sintaxis en Windows:</b>	Ejemplo en Windows
arp -s <Dirección IP> <Número de serie> ping -l 408 -t <Dirección IP>	arp -s 192.168.3.191 00-40-8c-10-00-86 ping -l 408 -t 192.168.0.125
<b>Sintaxis en UNIX/Linux/Mac:</b>	Ejemplo en UNIX/Linux/Mac:
arp -s <Dirección IP> <Número de serie> temp ping -s 408 <Dirección IP>	arp -s 192.168.0.125 00:40:8c:18:10:00 temp ping -s 408 192.168.0.125

4. Compruebe que el cable de red está conectado a la cámara y desconecte y vuelva a conectar la corriente para iniciarla o reiniciarla.
5. Cierre la línea de comando cuando vea "Reply from 192.168.0.125:" (Respuesta de 192.168.0.125:) ...' o similar.
6. En el explorador, escriba `http://<dirección IP>` en el campo Ubicación/Dirección y pulse Intro en el teclado.

### Notas:

- Para abrir una línea de comando en Windows: desde el menú Inicio, seleccione Ejecutar... y escriba cmd. Haga clic en Aceptar.

- Para utilizar el comando ARP en Windows Vista, haga clic con el botón derecho del ratón en el icono de línea de comando y seleccione Ejecutar como administrador.
- Para utilizar el comando ARP en un sistema operativo Mac OS X, utilice la herramienta Terminal, que se encuentra en Aplicaciones > Utilidades.

## Especificaciones eléctricas

Unidad	Función	Descripción
<b>AXIS Q6032-E</b>	Alimentación a través de Ethernet	50-57VDC, máx. 1,2 A, Clase 4

Unidad	Función	Descripción
<b>AXIS T8124</b>	Voltaje de entrada	100-240 VCA (50-60 Hz)
	Corriente de entrada	1,2 A (máx.)
	Potencia de salida disponible	60 W (máx.)
	Voltaje nominal de salida	54-57 VCC

## Restablecimiento de la configuración predeterminada de fábrica

Esta operación restaurará todos los parámetros, incluida la dirección IP, a los valores iniciales:

1. Extraiga la cubierta domo de la unidad de cámara. Esto desconectará automáticamente la alimentación de la cámara.
2. Mantenga pulsado el botón Control y el botón de encendido. Consulte la ilustración en la página 56.
3. Mantenga presionados ambos botones hasta que el indicador LED de estado parpadee con una luz ámbar (puede tardar hasta 15 segundos).
4. Suelte el botón Control. Cuando el indicador LED de estado emita una luz verde (lo que puede tardar hasta 1 minuto), habrá finalizado el proceso y se habrán restablecido los valores iniciales de la cámara.

### Nota:

El indicador LED de estado se mostrará verde durante 10 segundos únicamente. Tras esto, se apagará. Para más información consulte la tabla de LED de estado en la página 59.

5. Libere el botón de encendido y sustituya la cubierta de domo. De este modo, la cámara recibirá de nuevo y automáticamente la alimentación.
6. Vuelva a asignar la dirección IP, utilizando uno de los métodos descritos en este documento.

También es posible restablecer los valores predeterminados de la cámara mediante la interfaz Web. Si desea más información, consulte la ayuda en línea o el manual del usuario.

## Acceso a la cámara desde Internet

Una vez instalada, su AXIS Q6032-E es accesible desde su red local (LAN). Para acceder a la cámara desde Internet, deben configurarse los routers de red que permitan el tráfico entrante, que habitualmente se realiza en un puerto específico.

- Puerto HTTP (puerto 80 predeterminado) para visualización y configuración
- Puerto RTSP (puerto 554 predeterminado) para visualización de secuencias de vídeo H.264

Consulte la documentación de su router para obtener más instrucciones. Si desea más información sobre éste y otros temas, visite la página Web de soporte de Axis en [www.axis.com/techsup](http://www.axis.com/techsup)

## Más información

El manual del usuario está disponible en el sitio Web de Axis, [www.axis.com](http://www.axis.com), o en el CD de productos de vídeo en red de Axis suministrado con este producto.

**Un consejo:**

Visite [www.axis.com/techsup](http://www.axis.com/techsup) para comprobar si existe algún firmware actualizado disponible para su AXIS Q6032-E. Para consultar la versión firmware que tiene instalada actualmente, vaya a **Setup > About**.

## Safety Notice – Battery Replacement

The AXIS Q6032-E uses a 3.0V CR2032 Lithium battery as the power supply for its internal real-time clock (RTC). Under normal conditions this battery will last for a minimum of 5 years. Low battery power affects the operation of the RTC, causing it to reset at every power-up. A log message will appear when the battery needs replacing. The battery should not be replaced unless required!

- If the battery does need replacing, please observe the following:
- Danger of Explosion if battery is incorrectly replaced
- Replace only with the same or equivalent battery, as recommended by the manufacturer.
- Dispose of used batteries according to the manufacturer's instructions.

## Consignes de sécurité – Remplacement de la pile

L'AXIS Q6032-E utilise une pile au lithium CR2032 (3 V) pour l'alimentation de son horloge temps réel (HTR) interne. Dans des conditions d'utilisation normales, la durée de vie de cette pile est d'au moins 5 ans. Si la pile est faible, le fonctionnement de l'horloge temps réel est affecté et celle-ci se réinitialise à chaque mise en marche. Un message de journal apparaît lorsqu'il est nécessaire de remplacer la pile. La pile ne doit être remplacée que si cela s'avère nécessaire !

Si c'est le cas, observez les consignes suivantes :

- Danger d'explosion si la pile n'est pas remplacée correctement
- Ne remplacez la pile que par le même modèle ou un modèle équivalent recommandé par le fabricant.
- Débarrassez-vous des piles usagées conformément aux instructions du fabricant.

## Sicherheitshinweis zum Batterieaustausch

Die AXIS Q6032-E benötigt eine Lithium-Batterie CR2032 3,0 V, um die interne Echtzeituhr (RTC) zu versorgen. Die Lebensdauer dieser Batterie beträgt unter normalen Betriebsbedingungen mindestens 5 Jahre. Bei niedrigem Batteriestand muss die RTC bei jedem Einschalten nachgestellt werden. Es wird eine Protokollnachricht angezeigt, wenn die Batterie ausgetauscht werden muss. Die Batterie sollte nur wenn unbedingt erforderlich ausgetauscht werden.

Wenn die Batterie ausgetauscht werden muss, beachten Sie diese Hinweise:

- Es besteht Explosionsgefahr, wenn die Batterie nicht ordnungsgemäß eingesetzt wurde.
- Nur gegen vom Hersteller empfohlene Batterien desselben oder eines ähnlichen Typs austauschen.
- Entsorgen benutzter Batterien gemäß den Herstellervorgaben.

## Informazioni sulla sicurezza – Sostituzione della batteria

Per il dispositivo AXIS Q6032-E viene utilizzata una batteria al litio CR2032 3.0 V per l'alimentazione dell'orologio interno in tempo reale (RTC). In condizioni di normale utilizzo, questa batteria ha una durata minima di 5 anni. Se la carica della batteria non è sufficiente, il dispositivo RTC non funziona correttamente causando il ripristino delle impostazioni ad ogni accensione. Viene visualizzato un messaggio di registro quando è necessario sostituire la batteria. Sostituire la batteria solo quando richiesto.

Qualora sia necessario sostituire la batteria, attenersi alle seguenti indicazioni:

- Pericolo di esplosione se la batteria viene sostituita in modo errato.
- Sostituire la batteria solo con una dello stesso tipo o equivalente, come consigliato dal produttore.
- Smaltire le batterie usate secondo quanto stabilito dal produttore.

## Aviso de seguridad – Sustitución de la pila

La AXIS Q6032-E utiliza una pila de litio CR2032 de 3,0 V como fuente de alimentación para el reloj en tiempo real interno (RTC). En condiciones normales, esta pila dura 5 años como mínimo. Si la alimentación de la pila es baja, el funcionamiento del RTC se ve afectado y se restablece después de cada arranque. Aparecerá un mensaje de registro cuando sea necesario cambiar la pila. La pila no debe reemplazarse a menos que sea necesario. Tenga en cuenta las indicaciones siguientes al cambiar la pila:

- Existe peligro de explosión si la pila no se cambia de forma correcta
- Sustitúyala sólo con una pila del mismo tipo o equivalente, según la recomendación del fabricante.
- Deseche las pilas usadas de acuerdo con las instrucciones del fabricante.

Installation Guide

AXIS Q6032-E

© Axis Communications AB, 2009

Ver.1.00

Printed: June 2009

Part No. 35573