

AXIS M10 Network Camera Series

Smallest and smartest network cameras from the market leader.



- > Functional and smart design
- > Multiple H.264 streams
- > Easy and flexible installation
- > PIR sensor and illumination LED
- > Microphone and speaker

AXIS M10 Series offers small and smart cameras, ideal for securing locations such as small businesses, boutiques, restaurants, hotels or residences. These intuitive and reliable cameras offer best-in-class image quality and professional monitoring capabilities.

AXIS M1011, M1011-W and M1031-W Network Cameras with their functional and smart design offer a high-quality yet affordable video surveillance solution. Using progressive scan technology, the cameras provide VGA images of moving objects without motion blur.

Multiple H.264 and Motion JPEG streams can be provided simultaneously, individually optimized for different quality needs and bandwidth constraints. AXIS M10 Series supports MPEG-4 Part 2 for backward compatibility.

For easy and flexible installation, AXIS M1011-W and AXIS M1031-W offer the choice of either a wireless or a wired connection to the network.

AXIS M1031-W additionally features an integrated PIR sensor for detecting movement even in the dark, and a white LED for illuminating the scene automatically at an event or when requested by the user.

AXIS M1031-W provides two-way audio support with built-in microphone and speaker, allowing remote listening in on an area, as well as communication with individuals directly or using uploaded or recorded audio clips.

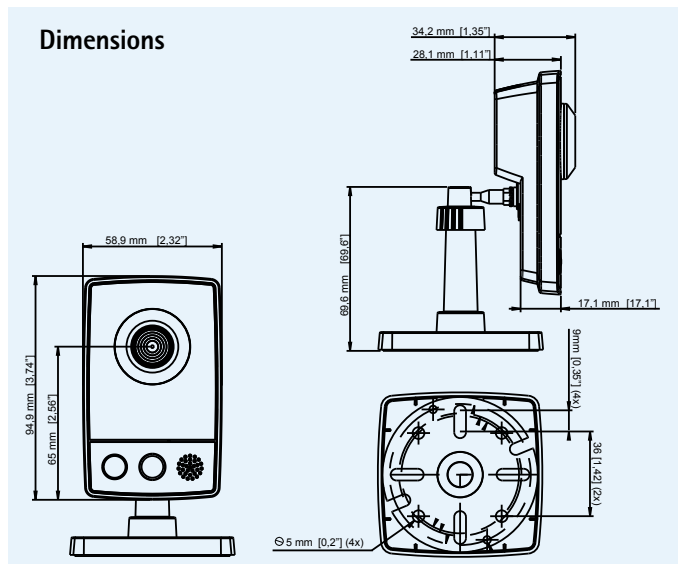


Technical Specifications – AXIS M10 Network Camera Series

Camera	
Models	AXIS M1011: Wired interface AXIS M1011-W: Wired and wireless interface AXIS M1031-W: Wired and wireless interface, PIR sensor, illumination LED, audio
Image sensor	1/4" Progressive scan RGB VGA CMOS
Lens	4.4 mm, F2.0, fixed iris, fixed focus, horizontal angle of view: 47°
Minimum illumination	1 lux, F2.0 AXIS M1031-W: 0 lux with illumination LED on
Shutter time	1/5000 s to 1/4 s
Video	
Video compression	H.264 Motion JPEG MPEG-4 Part 2 (ISO/IEC 14496-2)
Resolutions	640x480 to 160x120
Frame rate H.264	30 fps in all resolutions
Frame rate Motion JPEG	30 fps in all resolutions
Frame rate MPEG-4 Part 2	30 fps in all resolutions
Video streaming	Multi-stream H.264, Motion JPEG and MPEG-4 Part 2 H.264/MPEG-4 Part 2: 1 stream in full frame rate and resolution Motion JPEG: 2 individually configured streams in full frame rate and resolution More streams in either compression if identical or limited in frame rate/resolution Controllable frame rate and bandwidth VBR/CBR H.264 & MPEG-4 Part 2
Image settings	Compression, color, brightness, sharpness, contrast, white balance, exposure control, exposure zones, backlight compensation, fine tuning of behavior at low light, rotation Text and image overlay, privacy mask
Network	
Wireless interface	AXIS M1011-W/M1031-W: IEEE 802.11g/b Invisibly integrated antenna
Security	Password protection, IP address filtering, HTTPS encryption, digest authentication, user access log AXIS M1011-W/M1031-W: WEP 64/128 bit, WPA/WPA2-PSK
Supported protocols	IPv4/v6, HTTP, HTTPS, QoS Layer 3 DiffServ, FTP, SMTP, Bonjour, UPnP, SNMPv1/v2c/v3(MIB-II), DNS, DynDNS, NTP, RTSP, RTP, TCP, UDP, IGMP, RTPC, ICMP, DHCP, ARP, SOCKS

Audio (AXIS M1031-W)	
Audio streaming	Two-way, half duplex
Audio compression	AAC-LC 8/16 kHz, G.711 PCM 8 kHz, G.726 ADPCM 8 kHz Configurable bit rate
Audio in/out	Built-in microphone and speaker
System integration	
Application Programming Interface	Open API for software integration, including VAPIX® from Axis Communications available at www.axis.com
Intelligent video	Video motion detection, active tampering alarm AXIS M1031-W: Audio detection
Alarm triggers	Intelligent video AXIS M1031-W: Built-in PIR sensor
Alarm events	File upload via FTP, HTTP and email Notification via email, HTTP and TCP AXIS M1031-W: Activation of illumination LED, audio clip playback
Video buffer	16 MB pre- and post alarm
General	
Processor and memory	ARTPEC-B, 64 MB RAM, 32 MB Flash
Power	4.9 – 5.1 V DC, max. 7.5 W
Connectors	RJ-45 10BASE-T/100BASE-TX Auto-MDIX, DC jack
PIR sensor	AXIS M1031-W: Built-in passive infrared (PIR) motion sensor with configurable sensitivity. Max range: 6 m
Illumination LED	AXIS M1031-W: Built-in white illumination LED: 1 W
Operating conditions	0 – 50 °C (32 – 122 °F) Humidity 20 – 80% RH (non-condensing)
Approvals	AXIS M1011: EN 55022 Class B, EN 55024, EN 61000-3-2, EN 61000-3-3, EN 60950-1, FCC Part 15 Subpart B Class B, VCCI Class B, ICES-003 Class B, C-tick AXIS M1011-W/M1031-W: EN301489-1, EN301489-17, EN300328, EN 60950-1, FCC Part 15 Subpart B and C Class B, RSS-210, C-TICK, TELEC, KCC AXIS M1011/M1011-W: CCC Power supply: EN 60950-1, cCSAus
Weight	AXIS M1011: 94 g (0.207 lb), AXIS M1011-W: 94 g (0.207 lb), AXIS M1031-W: 101 g (0.222 lb)
Included accessories	Power supply, stand and clamp, Installation Guide, CD with installation tools, recording software and User's Manual, Windows decoder 1-user license

More information is available at www.axis.com



Alternative mountings



Optional accessories



For information on AXIS Camera Station and video management software from Axis' Application Development Partners, see www.axis.com/products/video/software/