

## AXIS T95A Series Dome Housing

Protect your Axis PTZ and PTZ dome network cameras.



- > Heaters and fans included
- > Indoor and outdoor
- > IP66-rated protection
- > Operating conditions down to  $-30^{\circ}\text{C}$  ( $-22^{\circ}\text{F}$ )\*

\*Depending on network camera model.

AXIS T95A Series Dome Housing has a top opening system designed to give easy access to the camera, all cabling and connections, enabling comfortable installation and easy maintenance of the network camera.

The AXIS T95A series is an innovative and rugged dome housing made of die-cast aluminum that protects Axis PTZ and PTZ dome network cameras from water, dust, sunlight and low temperatures.

The housing is suitable for both indoor and outdoor installation with IP66 weatherproof protection rating.

AXIS T95A is supplied with a removable sunshield, fan-assisted heaters and power connections for all supported Axis network cameras. The package includes 1 clear and 1 smoked dome bubble with superior optical clarity, designed for cameras with 35x zoom.

The pre-mounted heaters and fans allow the cameras to operate in temperatures down to  $-30^{\circ}\text{C}$  ( $-22^{\circ}\text{F}$ ), depending on the network camera model.

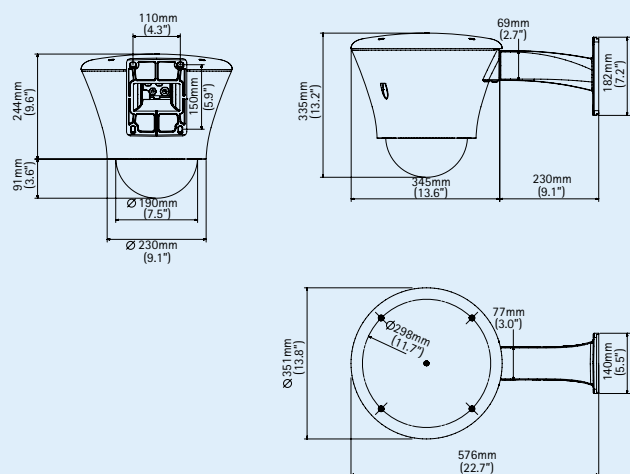


## Technical specifications – AXIS T95A Series Dome Housing

General	
<b>Models</b>	<b>AXIS T95A00</b> Dome Housing (5010-001), 110/240V AC <b>AXIS T95A10</b> Dome Housing (5010-101), 24V AC
<b>Supported cameras</b>	AXIS 213 PTZ, AXIS 214 PTZ, AXIS 215 PTZ, AXIS 231D+, AXIS 232D+ and AXIS 233D Network Cameras
<b>Casing</b>	Die-cast aluminum Epoxy polyester powder painting. Color: White grey RAL9002 Removable sunshield in ABS. Color: White grey RAL9002
<b>Power</b>	<b>AXIS T95A00</b> Input 100/240V AC, 50/60 Hz Output 24V DC, max 1,5 A or 12V DC, 3 A <b>AXIS T95A10</b> Input 24V AC - Requires 24V AC mains adapter (5000-001) Output 24V AC or 12V DC, 2 A
<b>Environment</b>	Indoor/outdoor
<b>Operating conditions</b>	<b>AXIS 213 PTZ:</b> -20 to 35°C (-4 to 95°F) <b>AXIS 214 PTZ:</b> -25 to 40°C (-13 to 104°F) <b>AXIS 215 PTZ:</b> -25 to 40°C (-13 to 104°F) <b>AXIS 231D+/232D+:</b> -20 to 50 °C (-4 to 122°F) <b>AXIS 233D:</b> -30 to 45°C (-22 to 113°F)
<b>Protection rating</b>	IP66 according to EN 60529
<b>Approvals</b>	CE according to EN 61000-6-3, EN 60950, EN 50130-4
<b>Height (with sunshield)</b>	335 mm (13.2")
<b>Diameter (with sunshield)</b>	351 mm (13.8")
<b>Height (without sunshield)</b>	335 mm (13.2")
<b>Diameter (without sunshield)</b>	322 mm (12.7")
<b>Weight</b>	3.8 kg (8.3 lb.)
<b>Accessories (included)</b>	Sunshield, thermostat controlled heaters and fans, smoked and clear dome bubble, Installation Guide

More information and a configuration tool is available at [www.axis.com/accessories](http://www.axis.com/accessories)

### Dimensions



### Brackets

Wall bracket      Ceiling/parapet bracket      Extension bracket



### Bracket accessories

Base bracket      Corner bracket      Pole bracket

