



# AEGIS UFLED Intelligent-IR Illuminator



- ▶ **Controlled by Constant Light technology which automatically compensates for LED degradation**
- ▶ **Powered by Black Diamond IR delivering even illumination across the scene**
- ▶ **Micro-refraction lens technology enables beam patterns of 10°, 20°, 30°, 60°, 95° and 120°**
- ▶ **12 VDC / 24 VAC Power-On-Board - no separate PSU required where low voltage supply is available**
- ▶ **High efficiency SMT LEDs for improved thermal management and increased LED life**

AEGIS UFLED, the world's first Intelligent-IR illuminator combines innovations in infrared technology and design to deliver absolute performance in night vision surveillance.

Constant Light technology compensates for LED degradation, a natural occurrence with all LED-based illuminators, to deliver a constant level of lighting performance throughout the life of the illuminator.

Powered by award-winning Black Diamond IR, AEGIS UFLED delivers Even-Illumination which lights the foreground and background of the scene eliminating hotspots and underexposure.

IP67 rated AEGIS UFLED features a 12 VDC / 24 VAC power circuit built into the illuminator to allow direct powering of the unit. Where mains operation is required separate power supplies are available.

## Functions

### Controlled by Constant Light technology

- Maintains a constant level of infrared performance throughout the life of the illuminator
- Maintains a constant level of infrared performance when operated at varying ambient temperatures
- Continues to deliver the specified range for the life of the illuminator
- Reduces initial input power consumption for a more environmentally-friendly solution

### Powered by Black Diamond IR

- Award winning Black Diamond IR eliminates hotspots in the foreground and underexposed backgrounds
- Delivers Even-Illumination for up to 220 m (720 ft) of superior night vision images
- Less camera noise reduces IP video bandwidth requirement
- Fewer dropped frames and less image lag significantly reduces encoder CPU overhead for IP cameras.

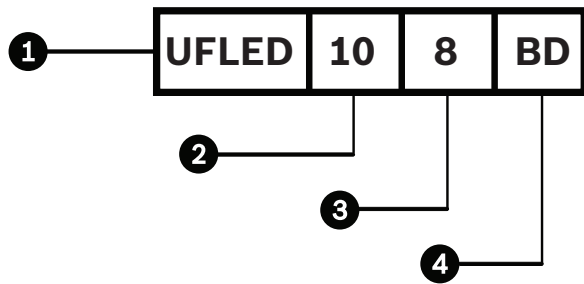
### 12 VDC / 24 VAC low voltage input

- No separate PSU required where low voltage supply is available; a dedicated mains voltage supply is also available
- Reduces installation time and costs
- Enables easier, more aesthetically pleasing installations
- Energy efficient operation
- Easy connection of remote telemetry and camera day/night switching

### High Efficiency Surface Mount LEDs

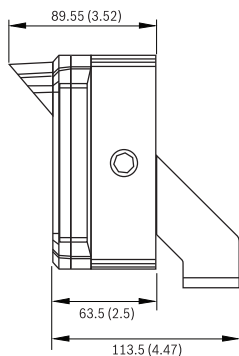
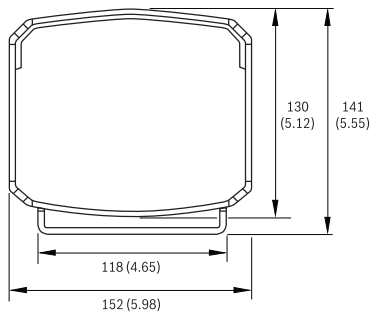
- Cool operation with improved optical output efficiency and thermal management
- Reduced power input and consumption for a more environmentally-friendly solution and lower operating costs for the end user

**Installation/Configuration Notes**



1. Model	UFLED	AEGIS UFLED
2. Beam Pattern	10	10°
	20	20°
	30	30°
	60	60°
	95	95°
	120	120°
3. Wavelength	8	850 nm
	9	940 nm
4. Type	BD	Black Diamond

**Dimensions**



mm (in)

**Technical Specifications**

**Illuminator**

LEDs	High efficiency LED array with current limited integral power circuit
Number of LEDs	18 high efficiency surface mount LEDs
Beam Patterns	10°, 20°, 30°, 60°, 95°, 120°
Wavelength	850 nm or 940 nm
Power consumption	26 to 45 W (45 W max power) Power consumption will vary over time due to the intelligent IR's optical output control which compensates for LED degradation and ambient temperature fluctuations
Input Voltage	12 to 40 VDC or 24 VAC ±30%
Temperature Range	-50 °C to +50 °C (-58 °F to +122 °F) max on full power
Environment	IP67
Construction	Robust, aluminum construction with acrylic front fascia
Weight	1.4 kg (3.1 lb)
Dimensions	152 x 188 x 115 mm (6.0 x 7.4 x 4.5 in)
Color	Black anodized heat sink with black front fascia
Power Cable	Supplied with IP67 power connector and 5 m (16.4 ft) of connecting lead.
Bracket	Wall mount U-bracket supplied

**Performance Ranges**

Model	Beam Pattern	Achievable Distance*	HFOV
UFLED10-8BD	10°	220 m (720 ft)	40 m (125 ft)
UFLED20-8BD	20°	150 m (490 ft)	55 m (175 ft)
UFLED30-8BD	30°	110 m (360 ft)	60 m (195 ft)
UFLED60-8BD	60°	70 m (230 ft)	80 m (265 ft)
UFLED95-8BD	95°	50 m (165 ft)	110 m (300 ft)
UFLED120-8BD	120°	35 m (115 ft)	120 m (400 ft)
UFLED10-9BD	10°	135 m (440 ft)	25 m (80 ft)
UFLED20-9BD	20°	80 m (260 ft)	28 m (100 ft)
UFLED30-9BD	30°	65 m (210 ft)	35 m (115 ft)
UFLED60-9BD	60°	40 m (130 ft)	45 m (145 ft)
UFLED95-9BD	95°	30 m (100 ft)	65 m (210 ft)
UFLED120-9BD	120°	20 m (65 ft)	70 m (230 ft)

\*Actual illumination distance achieved is dependent on camera and lens characteristics.

**Ordering Information**

<b>UFLED10-8BD AEGIS Illuminator</b> AEGIS Intelligent-IR UFLED illuminator, 10°, 850 nm	<b>UFLED10-8BD</b>
<b>UFLED20-8BD AEGIS Illuminator</b> AEGIS Intelligent-IR UFLED illuminator, 20°, 850 nm	<b>UFLED20-8BD</b>
<b>UFLED30-8BD AEGIS Illuminator</b> AEGIS Intelligent-IR UFLED illuminator, 30°, 850 nm	<b>UFLED30-8BD</b>
<b>UFLED60-8BD AEGIS Illuminator</b> AEGIS Intelligent-IR UFLED illuminator, 60°, 850 nm	<b>UFLED60-8BD</b>
<b>UFLED95-8BD AEGIS Illuminator</b> AEGIS Intelligent-IR UFLED illuminator, 95°, 850 nm	<b>UFLED95-8BD</b>
<b>UFLED120-8BD AEGIS Illuminator</b> AEGIS Intelligent-IR UFLED illuminator, 120°, 850 nm	<b>UFLED120-8BD</b>
<b>UFLED10-9BD AEGIS Illuminator</b> AEGIS Intelligent-IR UFLED illuminator, 10°, 940 nm	<b>UFLED10-9BD</b>
<b>UFLED20-9BD AEGIS Illuminator</b> AEGIS Intelligent-IR UFLED illuminator, 20°, 940 nm	<b>UFLED20-9BD</b>
<b>UFLED30-9BD AEGIS Illuminator</b> AEGIS Intelligent-IR UFLED illuminator, 30°, 940 nm	<b>UFLED30-9BD</b>
<b>UFLED60-9BD AEGIS Illuminator</b> AEGIS Intelligent-IR UFLED illuminator, 60°, 940 nm	<b>UFLED60-9BD</b>
<b>UFLED95-9BD AEGIS Illuminator</b> AEGIS Intelligent-IR UFLED illuminator, 95°, 940 nm	<b>UFLED95-9BD</b>
<b>UFLED120-9BD AEGIS Illuminator</b> AEGIS Intelligent-IR UFLED illuminator, 120°, 940 nm	<b>UFLED120-9BD</b>
<b>PSU-224-DC100 Universal Power Supply</b> Universal Power Supply 2x24 VDC	<b>PSU-224-DC100</b>

**Accessories**

<b>EXMB.020B L-bracket</b> L-Bracket Only, Heavy Duty, black	<b>EXMB.020B</b>
<b>EXPB-3W-KIT Camera and IR Illuminator Wall-mount Kit</b> Wall-mount kit including camera housing for IR Illuminators	<b>EXPB-3W-KIT</b>
<b>UFLED-CI-5M Switching Cable</b> 5 m (16.4 ft) remote telemetry or day/night switching cable for AEGIS UFLED	<b>UFLED-CI-5M</b>
<b>UFLED-CL-1M Link Cable</b> 1 m (3.3 ft) telemetry link cable for AEGIS UFLED	<b>UFLED-CL-1M</b>
<b>PSU-224-DC100 Universal Power Supply</b> Universal Power Supply 2x24 VDC	<b>PSU-224-DC100</b>

**Ordering Information**

<b>UPA-2450-50 Power Supply</b> 220 VAC, 50 Hz, 24 VAC, 50 VA Out	<b>UPA-2450-50</b>
<b>UPA-2450-60 Power Supply</b> 120 VAC, 60 Hz, 24 VAC, 50 VA Out	<b>UPA-2450-60</b>

**Americas:**  
Bosch Security Systems, Inc.  
130 Perinton Parkway  
Fairport, New York, 14450, USA  
Phone: +1 800 289 0096  
Fax: +1 585 223 9180  
security.sales@us.bosch.com  
www.boschsecurity.us

**Europe, Middle East, Africa:**  
Bosch Security Systems B.V.  
P.O. Box 80002  
5600 JB Eindhoven, The Netherlands  
Phone: + 31 40 2577 284  
Fax: +31 40 2577 330  
emea.securitysystems@bosch.com  
www.boschsecurity.com

**Asia-Pacific:**  
Robert Bosch (SEA) Pte Ltd, Security Systems  
11 Bishan Street 21  
Singapore 573943  
Phone: +65 6571 2600  
Fax: +65 6571 2698  
apr.securitysystems@bosch.com  
www.boschsecurity.com

**Represented by**